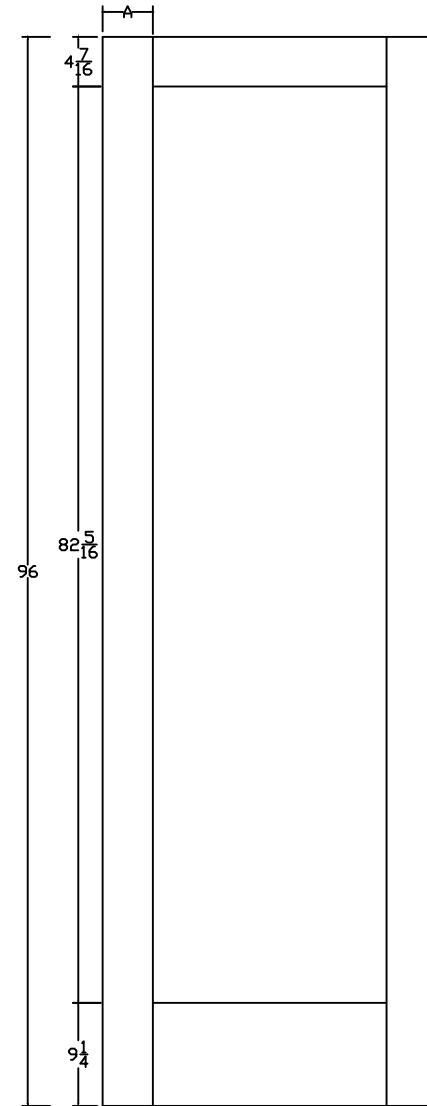
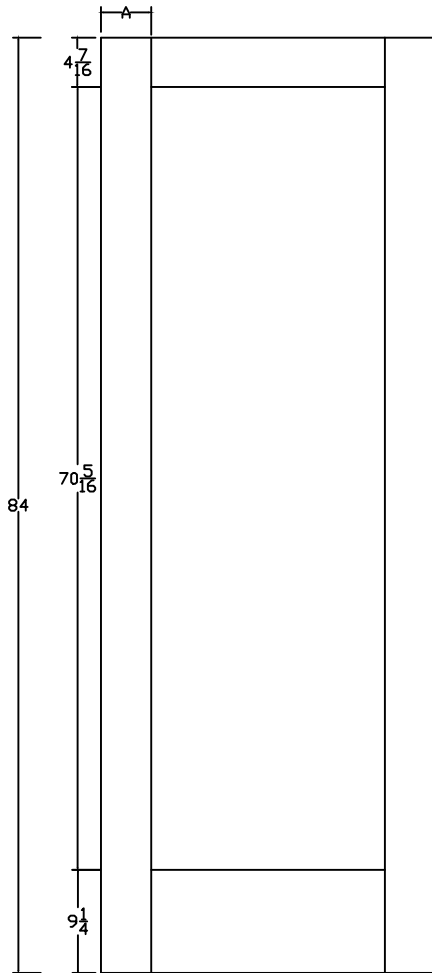
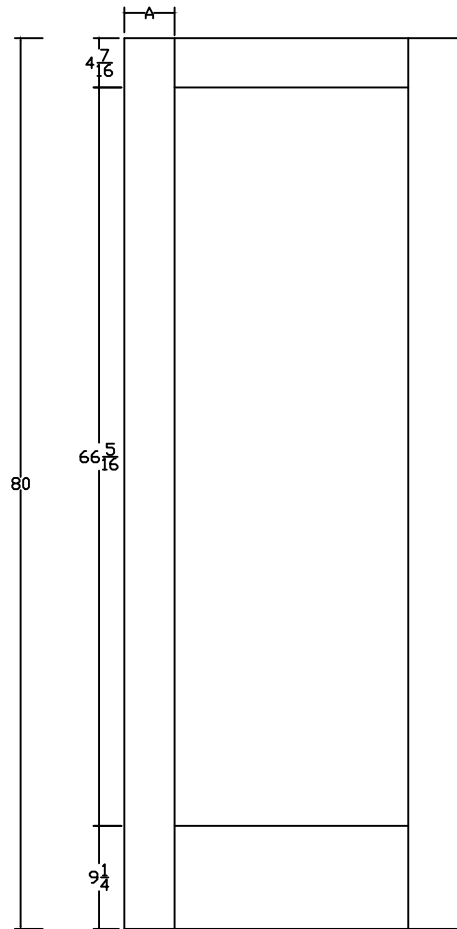


DOOR WIDTH	12 TO 14	15 TO 36
STILE WIDTH "A"	1-7/8	4-1/2



SPECIFICATION SHEET

TITLE
CII FLAT PANEL SQUARE STICKING

CREATION DATE
2023-02-13

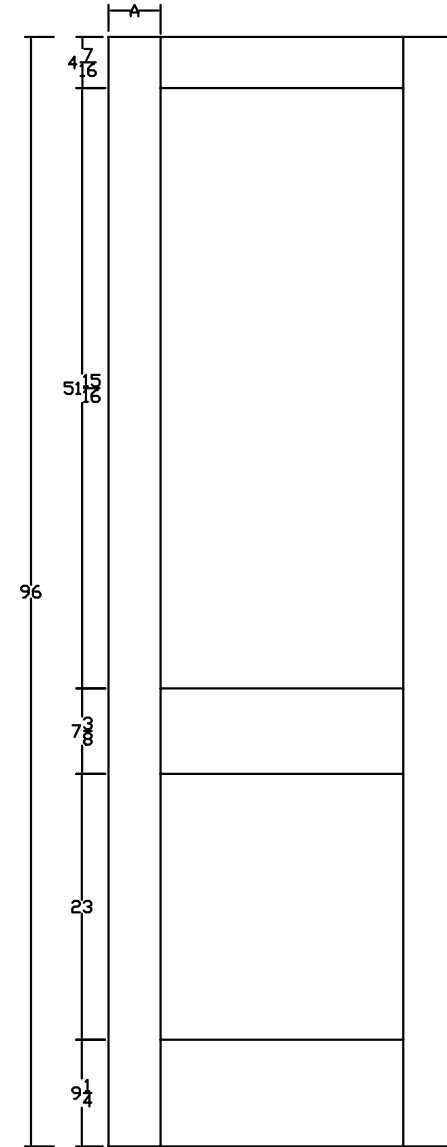
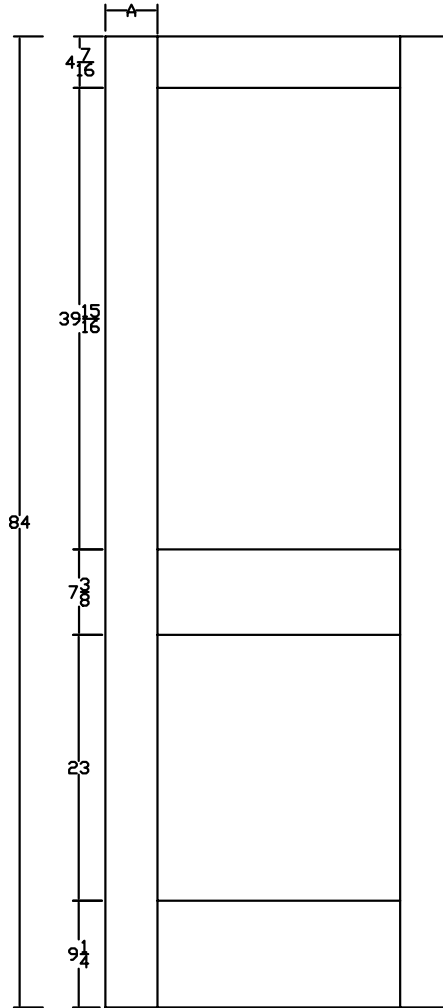
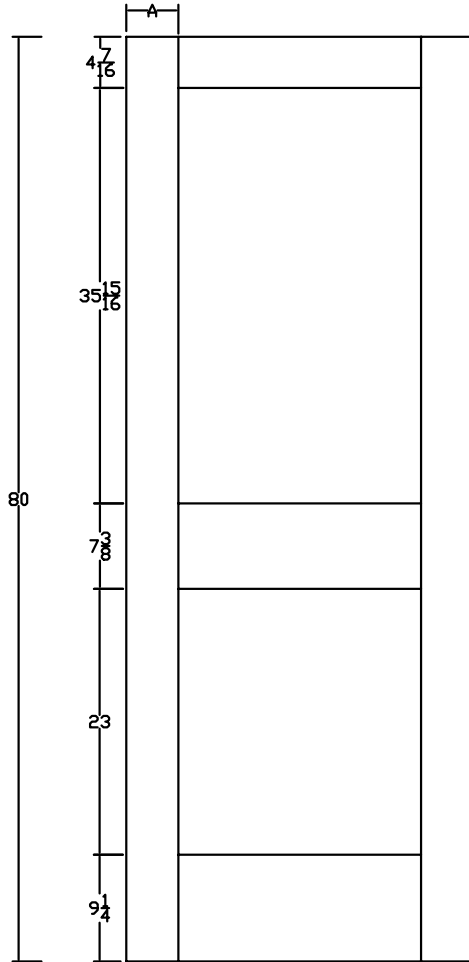
PREP. BY : L.D.

REVISION DATE REV.

SCALE: NTS



<i>Door width</i>	12to14	15to36
<i>stile width "A"</i>	1-7/8"	4-1/2"



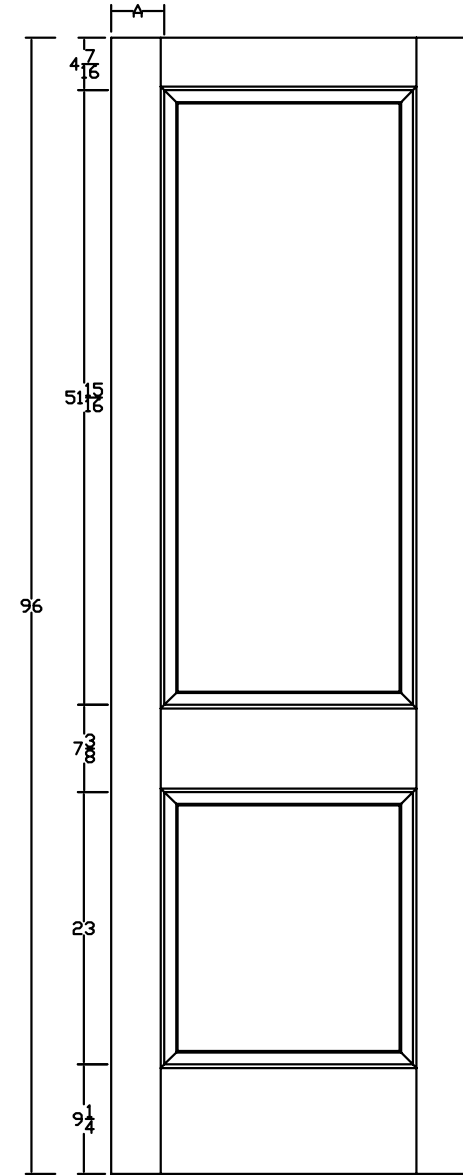
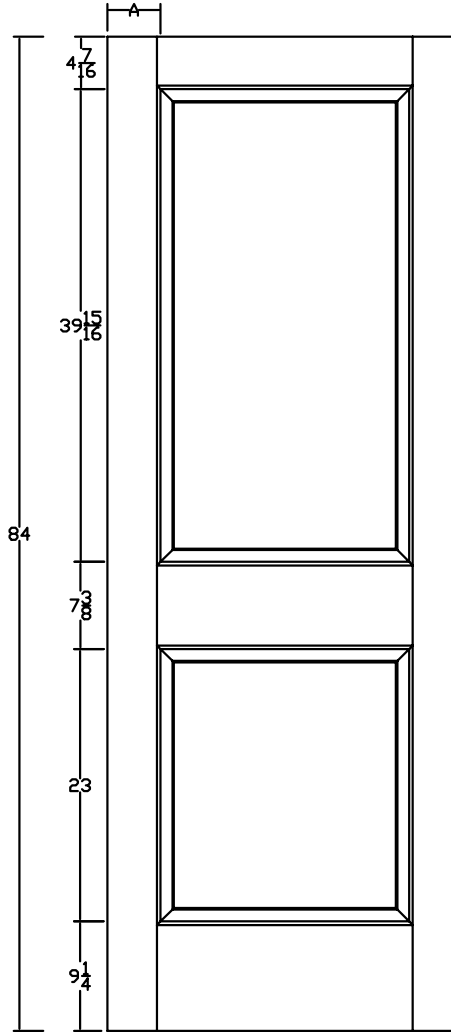
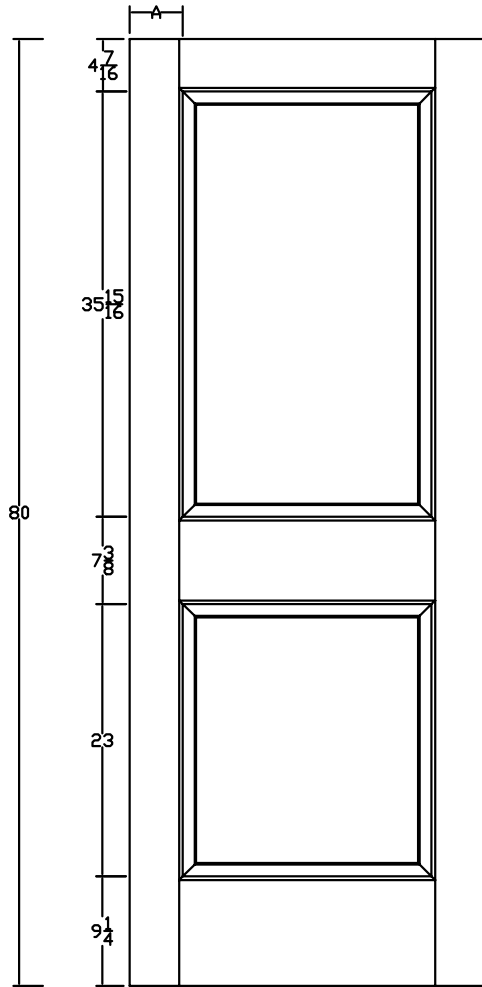
Specification sheet

Title C22 FLAT PANEL SQUARE STICKING

<i>Creation date</i>	
2016-08-10 08:01:07	
<i>Prep. by:</i> M.C.	
<i>Revision date</i>	<i>Rev.</i>
	1
<i>Scale</i> nts	



Door width	12to14	15to36
stile width "A"	1-7/8"	4-1/2"



Specification sheet

Title C22 OVOLO STICKING DH PANEL

Creation date
2016-08-09 13:55:23

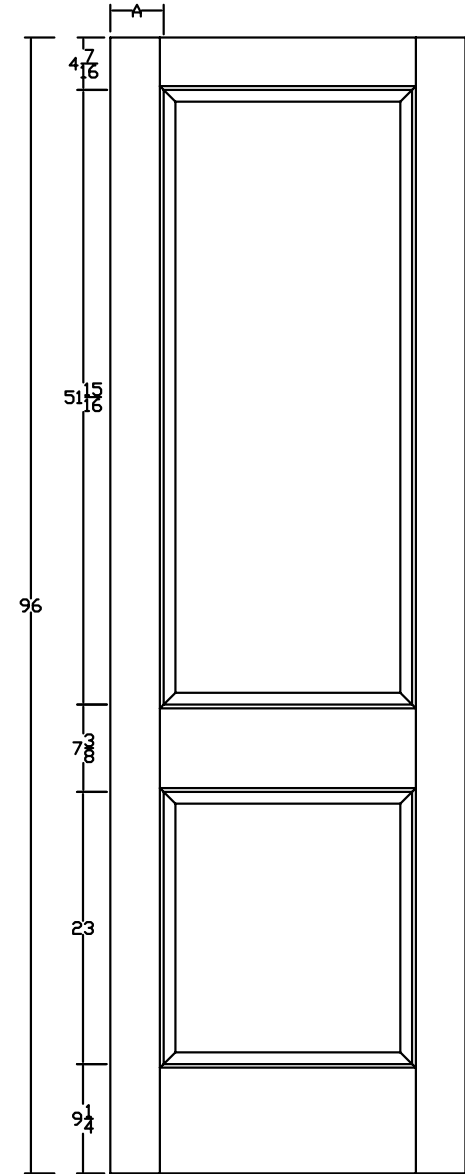
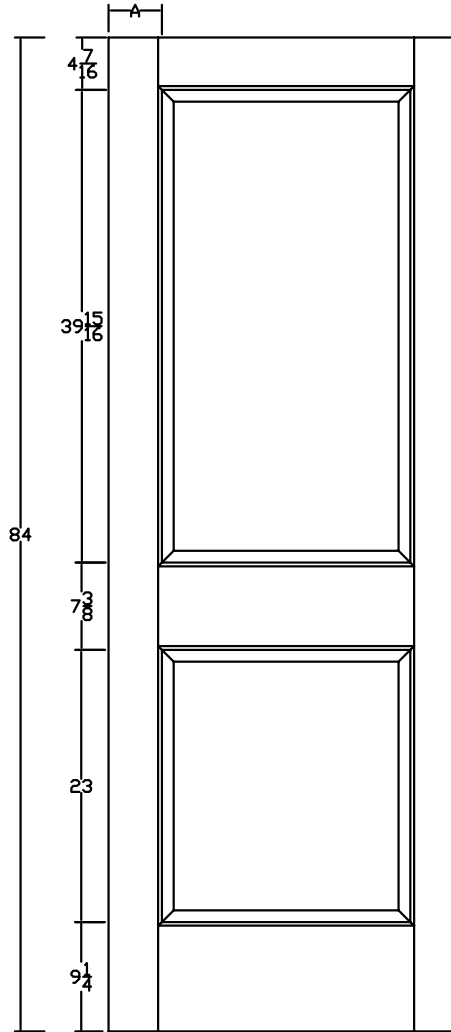
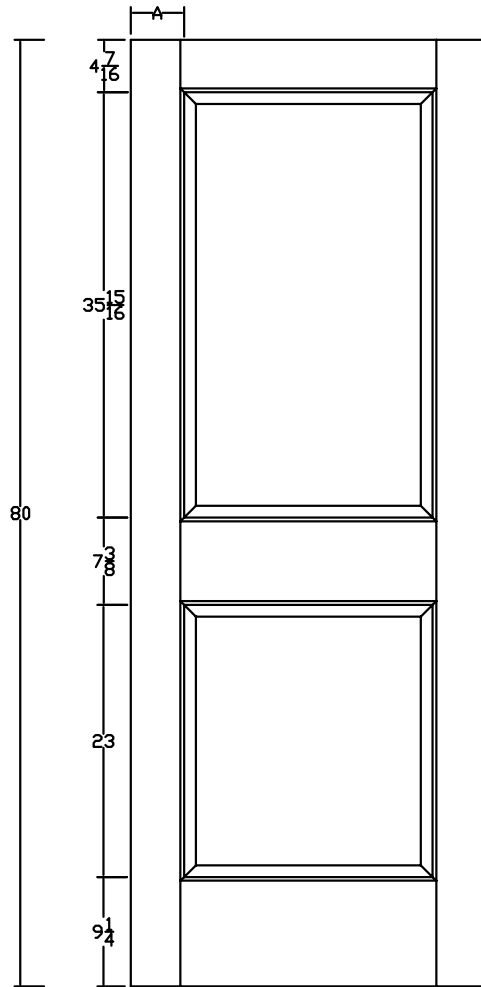
Prep. by: M.C.

Revision date	Rev.
	1

Scale nts

 **MASONITE**
Open to extraordinary.

Door width	12to14	15to36
stile width "A"	1-7/8"	4-1/2"



Specification sheet

Title C22 OVOLO STICKING SH PANEL

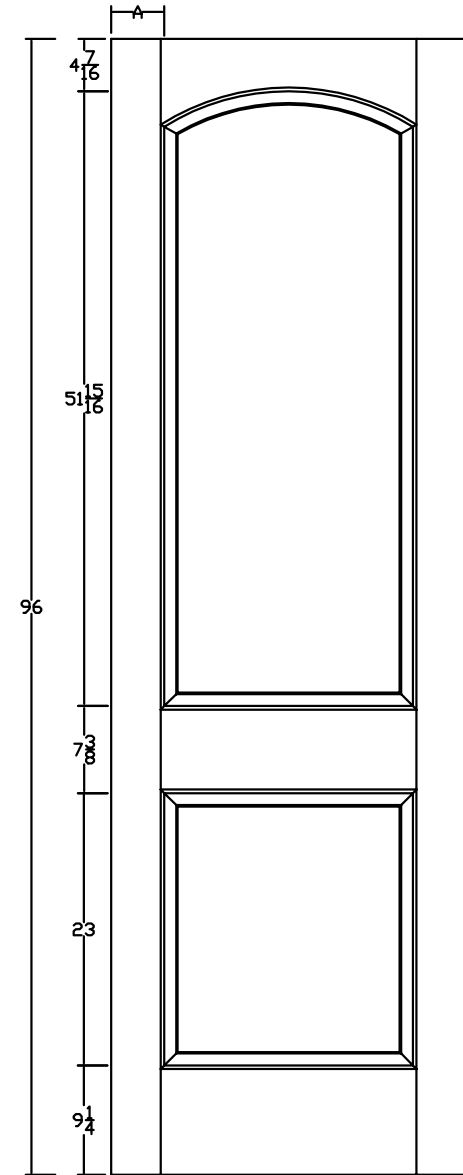
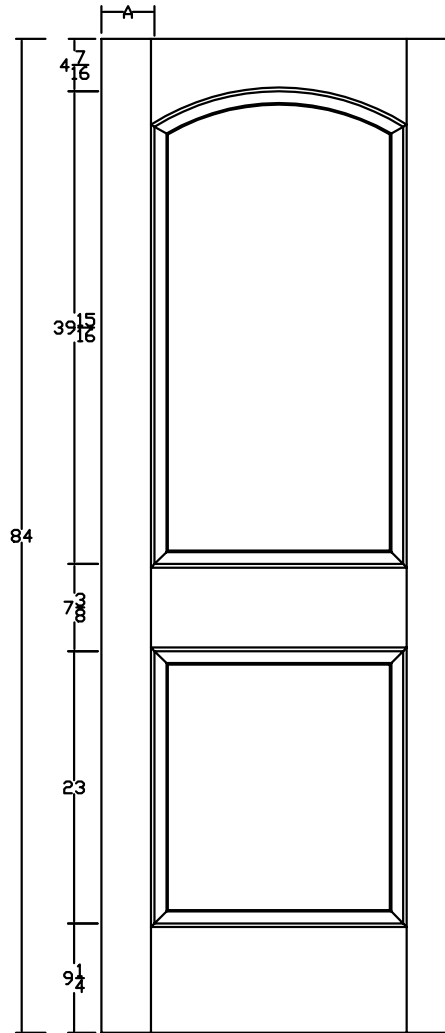
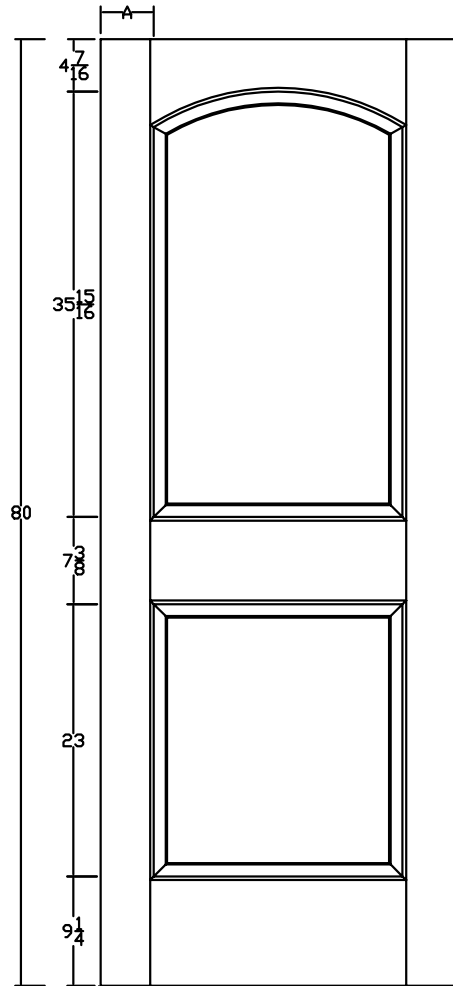
Creation date	
2016-08-09 13:55:23	
Prep. by: M.C.	
Revision date	Rev.
	1
Scale nts	



MASONITE

Open to extraordinary.

<i>Door width</i>	12to14	15to36
<i>stile width "A"</i>	1-7/8"	4-1/2"



Specification sheet

Title C22 ARCH OVOLO STICKING DH PANEL

Creation date
2016-08-09 13:55:23

Prep. by: M.C.

<i>Revision date</i>	<i>Rev.</i>
	1

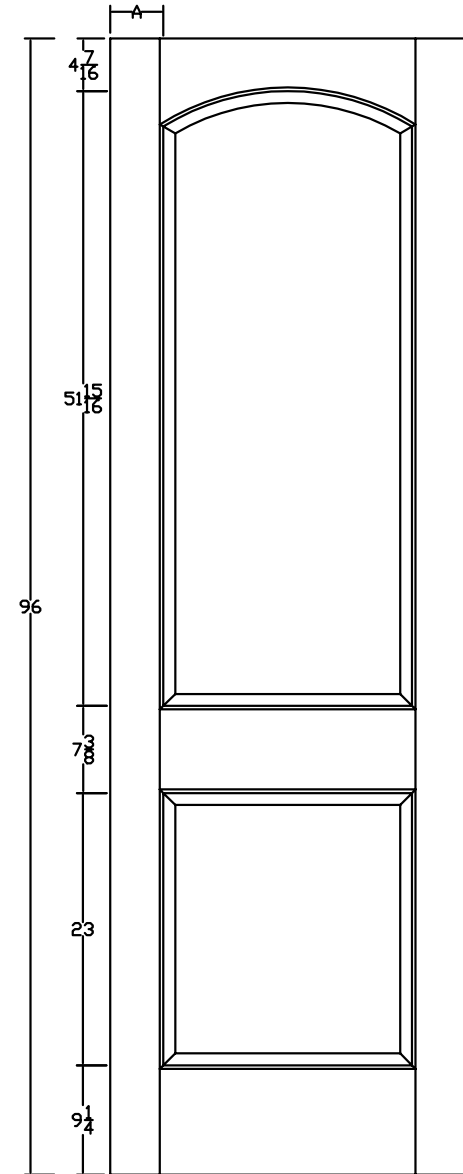
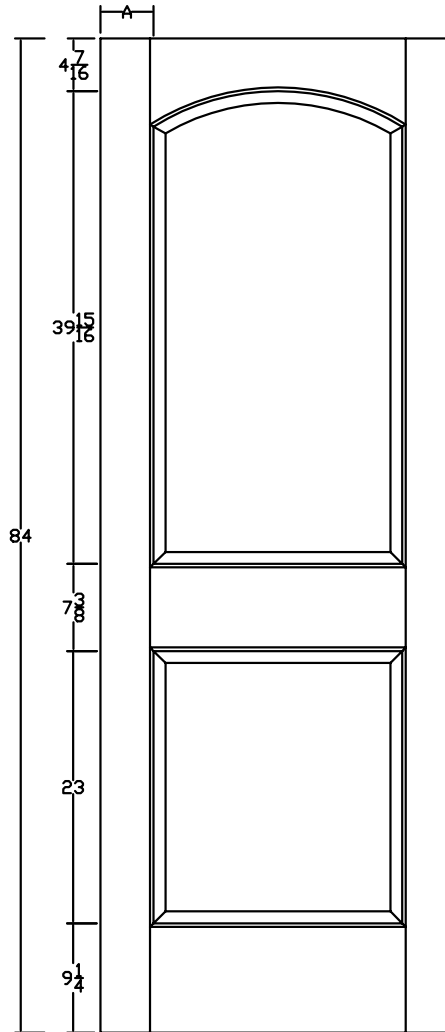
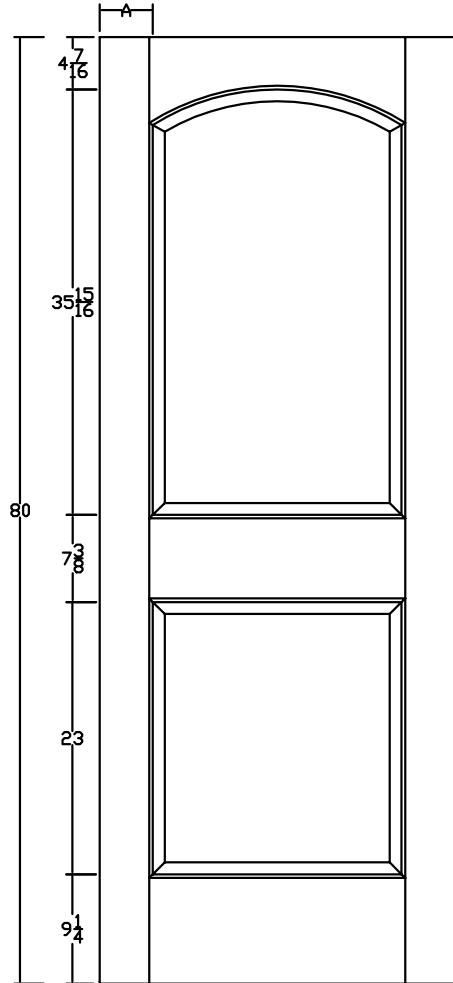
Scale nts



MASONITE®

Open to extraordinary.

<i>Door width</i>	12to14	15to36
<i>stile width "A"</i>	1-7/8"	4-1/2"



Specification sheet

Title C22 ARCH OVOLO STICKING SH PANEL

Creation date
2016-08-09 13:55:23

Prep. by: M.C.

Revision date	Rev.
	1

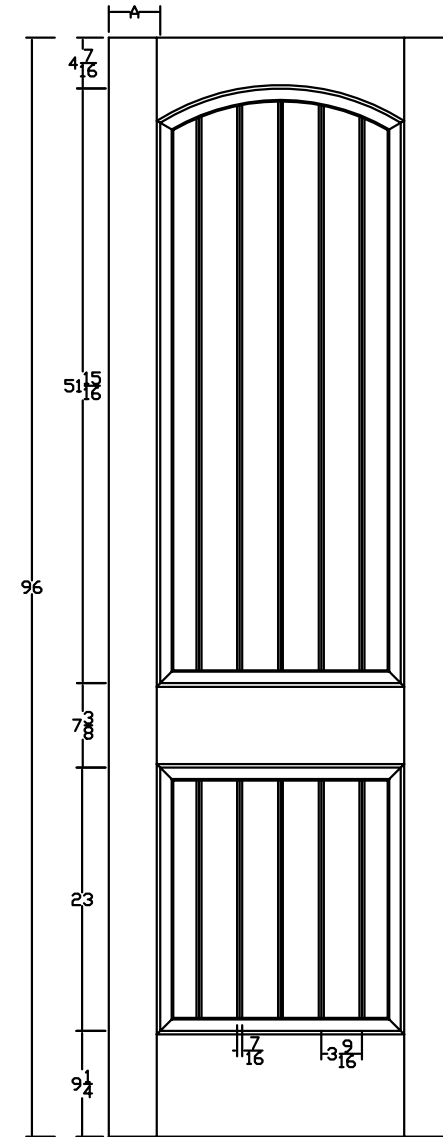
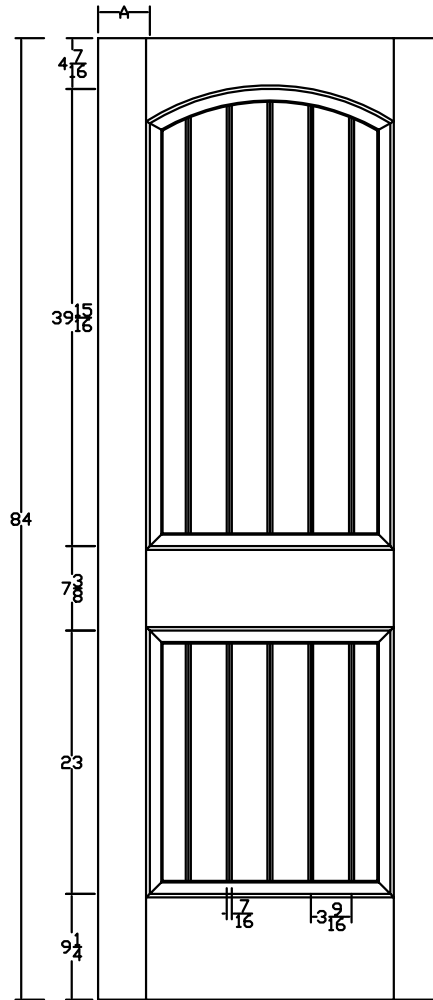
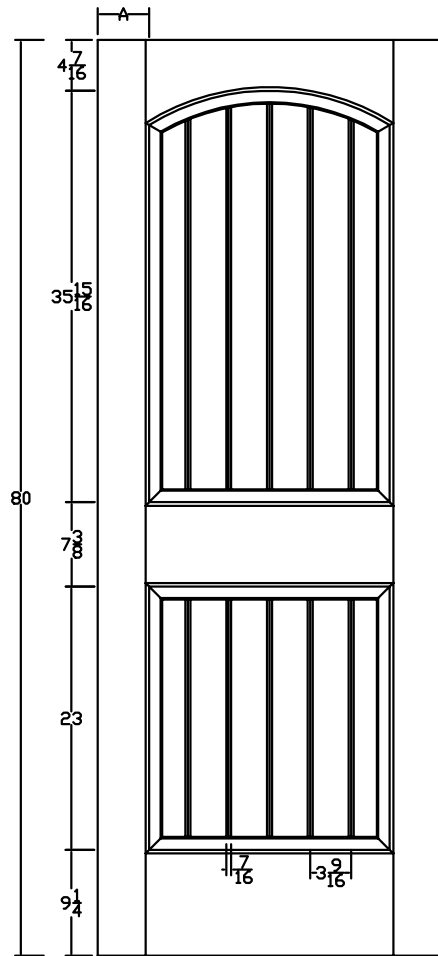
Scale nts



MASONITE

Open to extraordinary.

<i>Door width</i>	12to14	15to36
<i>stile width "A"</i>	1-7/8"	4-1/2"



Specification sheet

Title C22 ARCH OVOLO STICKING DH
WIDE V-GROOVE

Creation date
2016-08-10 09:35:04

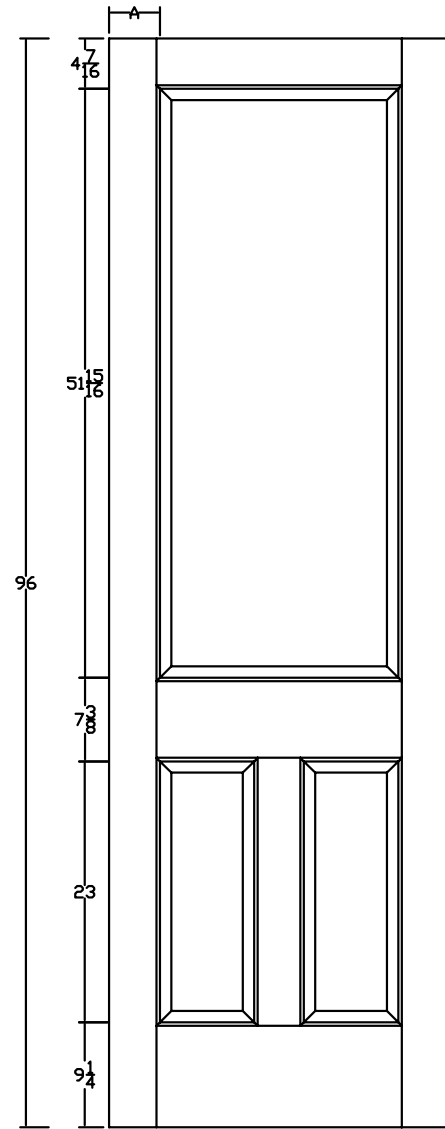
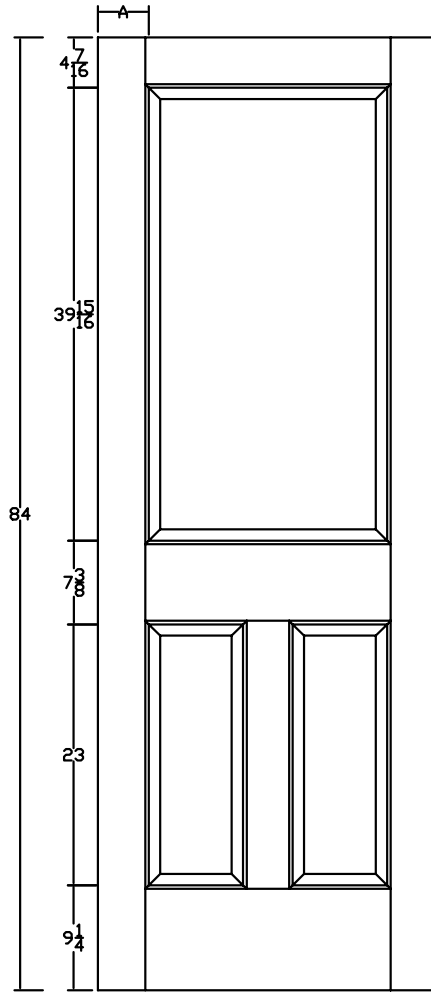
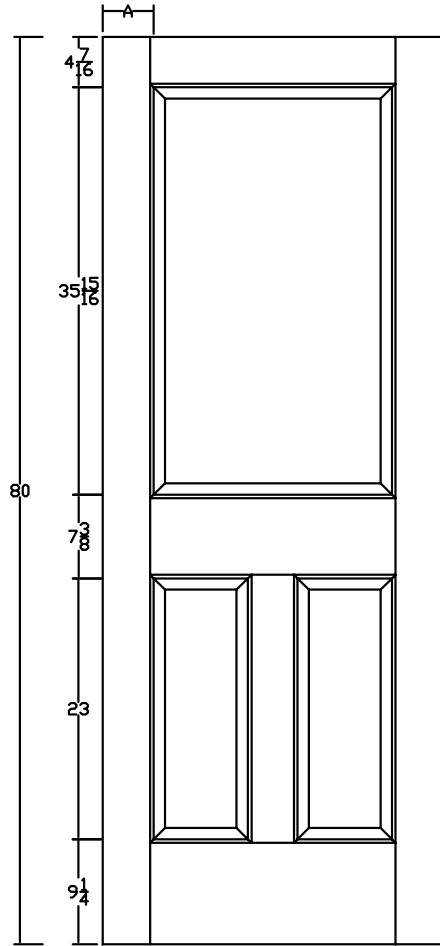
Prep. by: M.C.

Revision date Rev.
 1

Scale nts

MASONITE
Open to extraordinary.

Door width		24to36
stile width "A"		4-1/2"



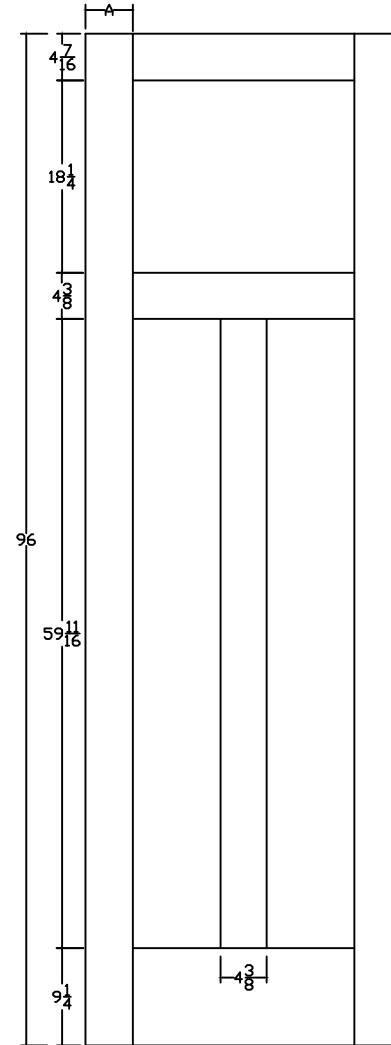
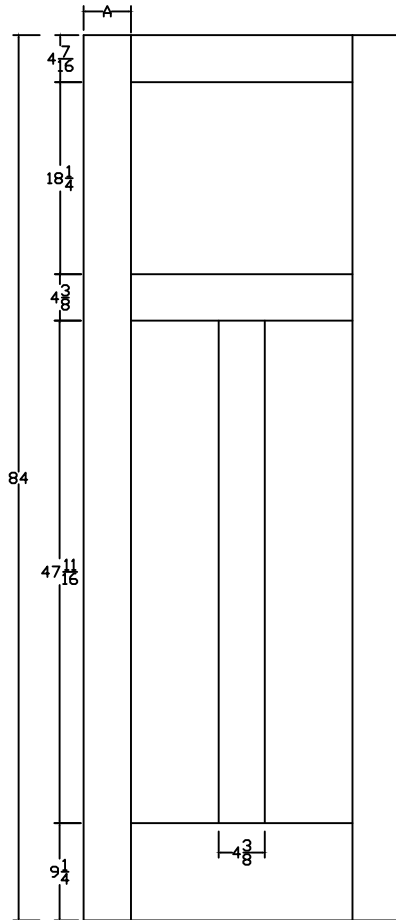
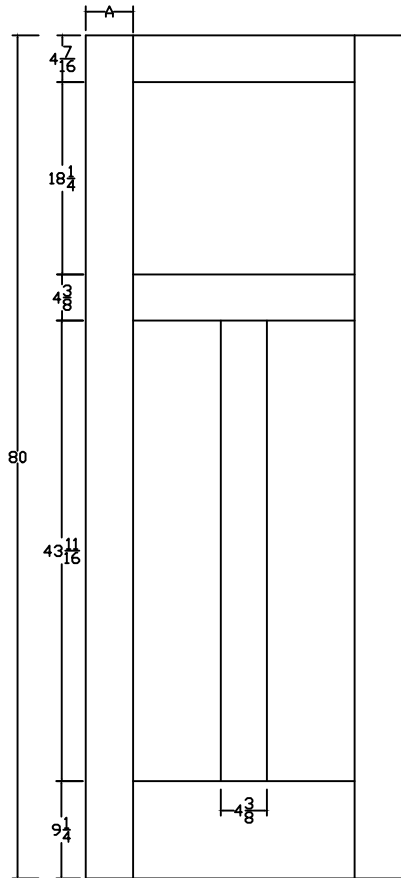
Specification sheet

Title C32 SH PANEL OVOLO STICKING

Creation date	
2016-08-10 09:18:05	
Prep. by: M.C.	
Revision date	Rev.
	1
Scale nts	



DOOR WIDTH	12 TO 14	15 TO 36
STILE WIDTH "A"	1-7/8	4-1/2



SPECIFICATION SHEET

TITLE
C35 FLAT PANEL SQUARE STICKING

CREATION DATE
2023-02-13

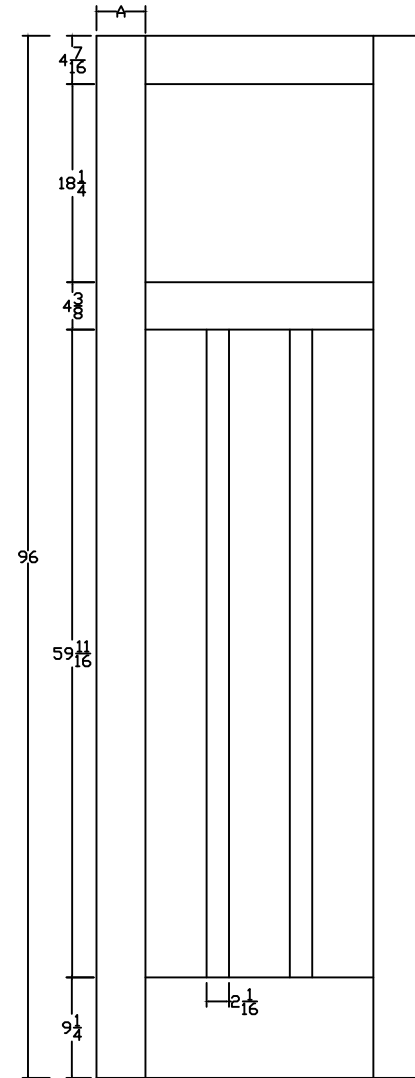
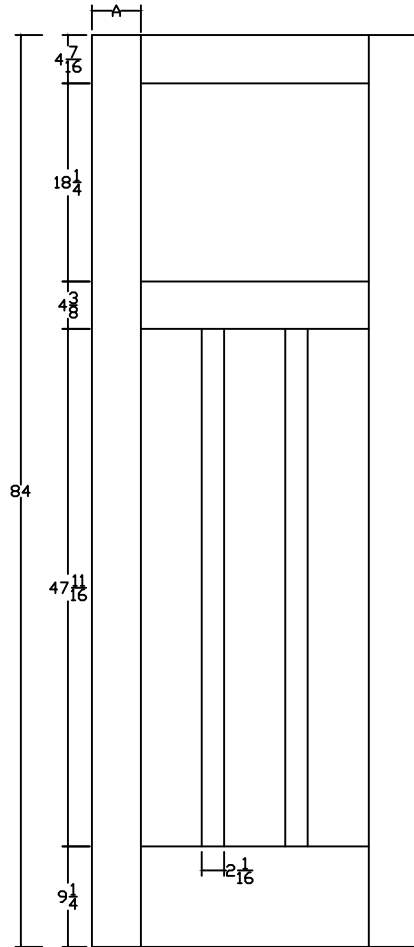
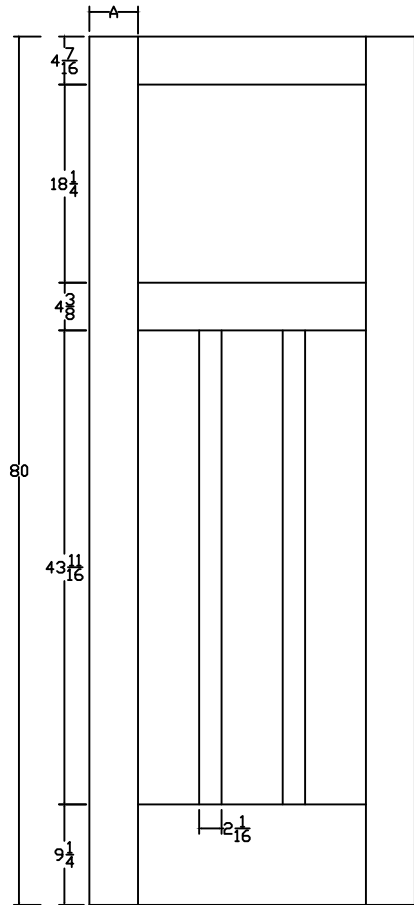
PREP. BY : L.D.

REVISION DATE REV.

SCALE: NTS



DOOR WIDTH	12 TO 14	15 TO 36
STILE WIDTH "A"	1-7/8	4-1/2



SPECIFICATION SHEET

TITLE
C46 FLAT PANEL SQUARE STICKING

CREATION DATE
2023-02-13

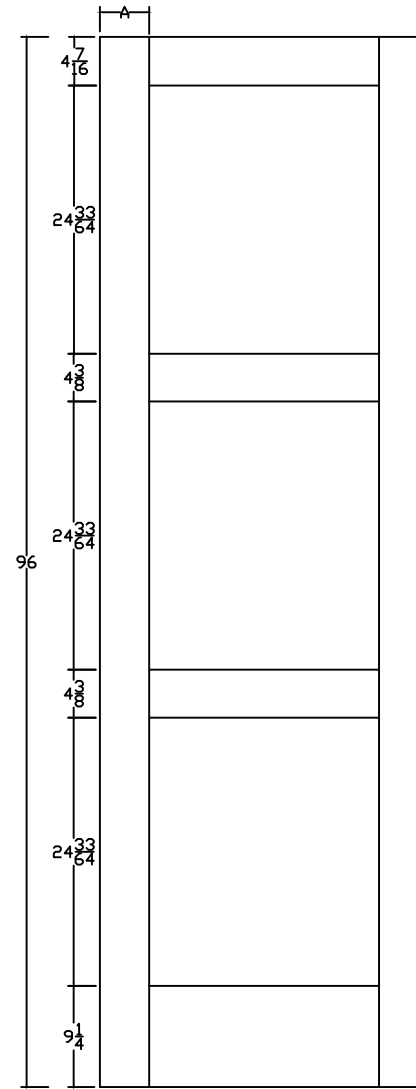
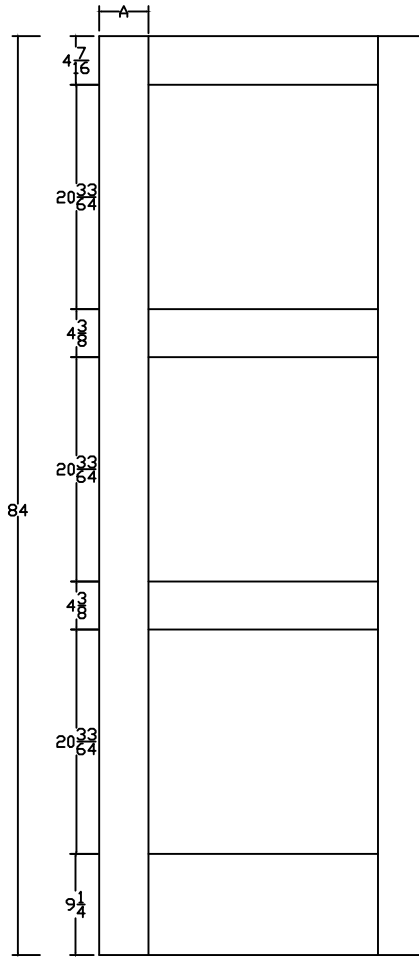
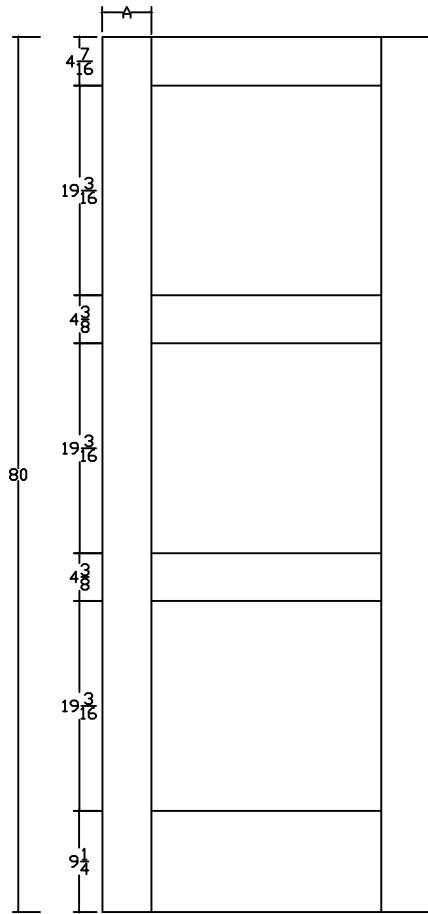
PREP. BY : L.D.

REVISION DATE REV.

SCALE: NTS



DOOR WIDTH	12 TO 14	15 TO 36
STILE WIDTH "A"	1-7/8	4-1/2



SPECIFICATION SHEET

TITLE
C30 FLAT PANEL SQUARE STICKING

CREATION DATE
2023-02-13

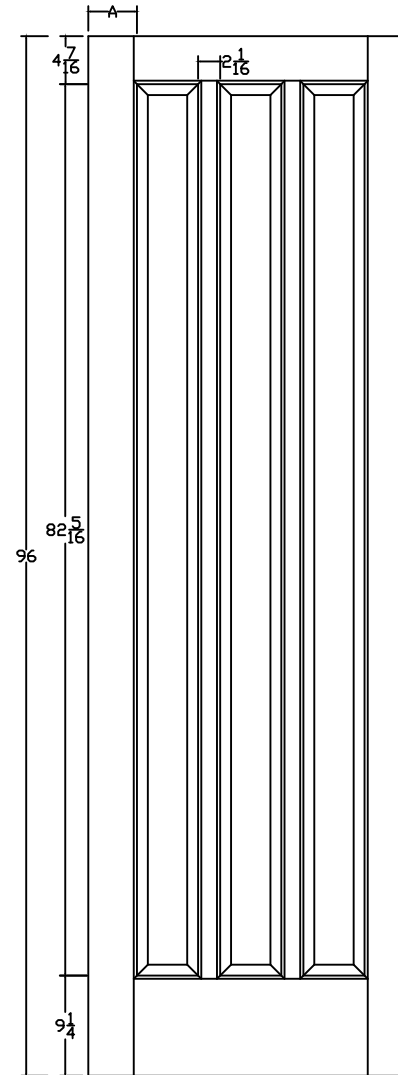
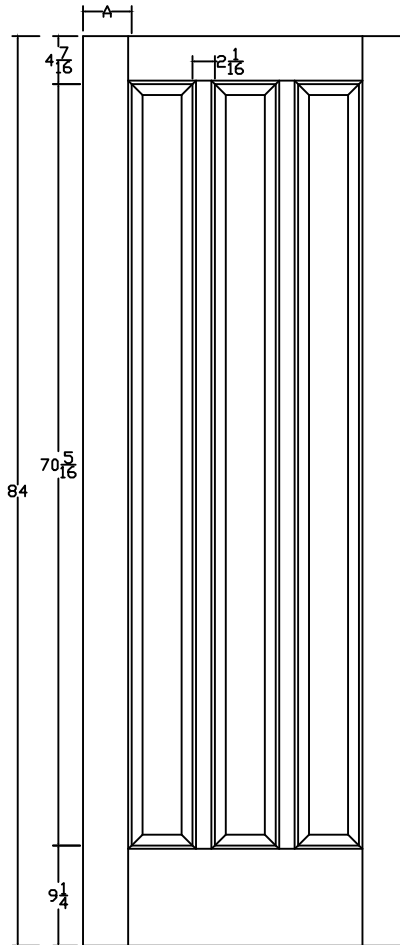
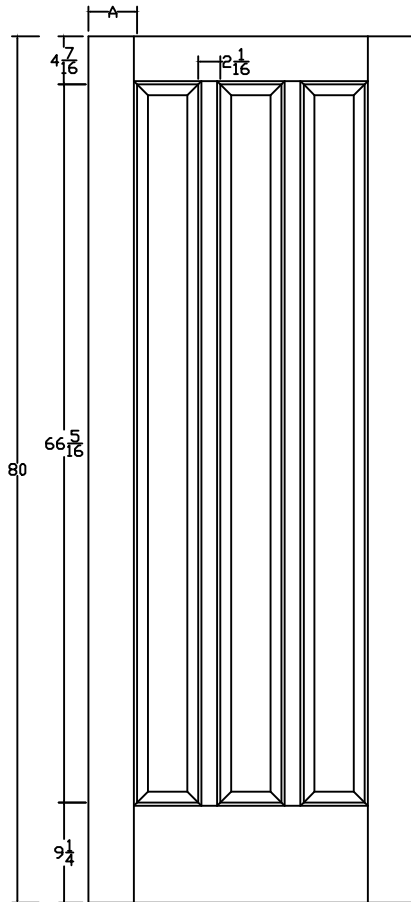
PREP. BY : L.D.

REVISION DATE REV.

SCALE: NTS



DOOR WIDTH	12 TO 14	15 TO 36
STILE WIDTH "A"	1-7/8	4-1/2



SPECIFICATION SHEET

TITLE
C38 RAISED PANEL OVOLO STICKING

CREATION DATE
2023-02-13

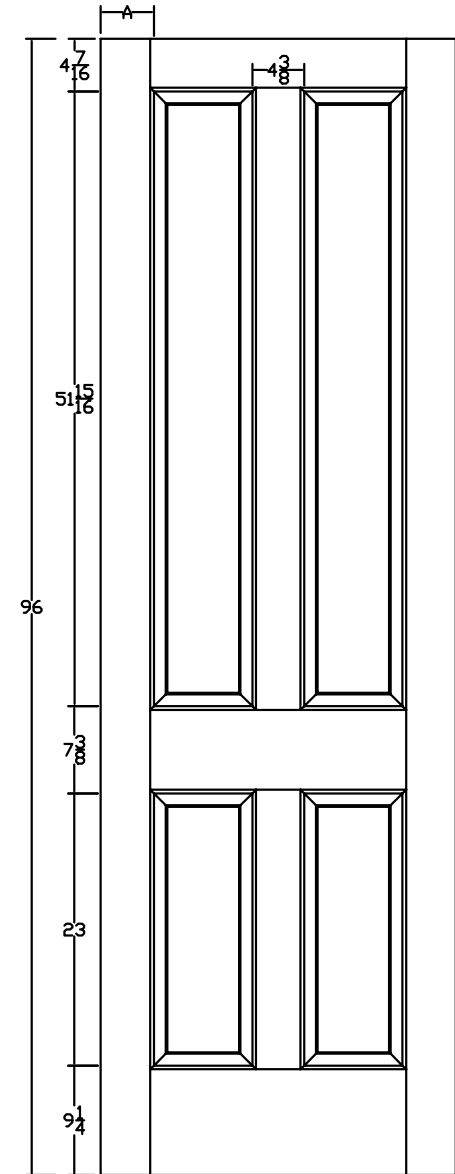
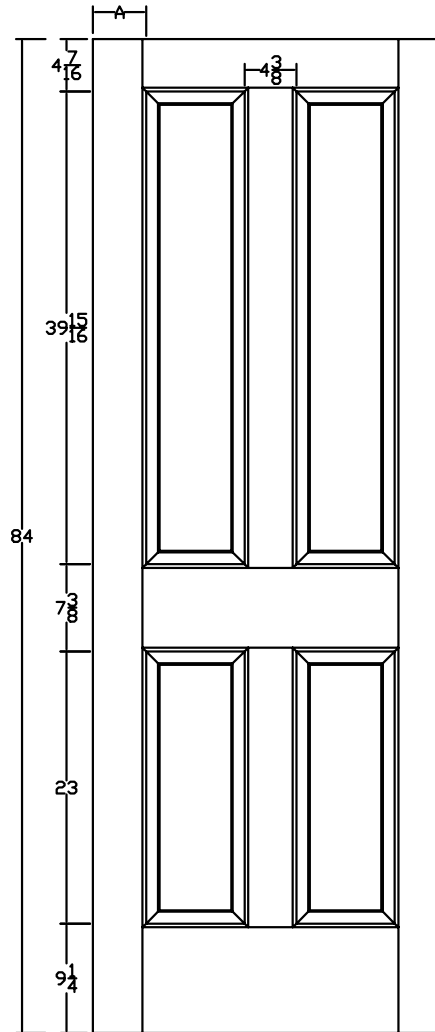
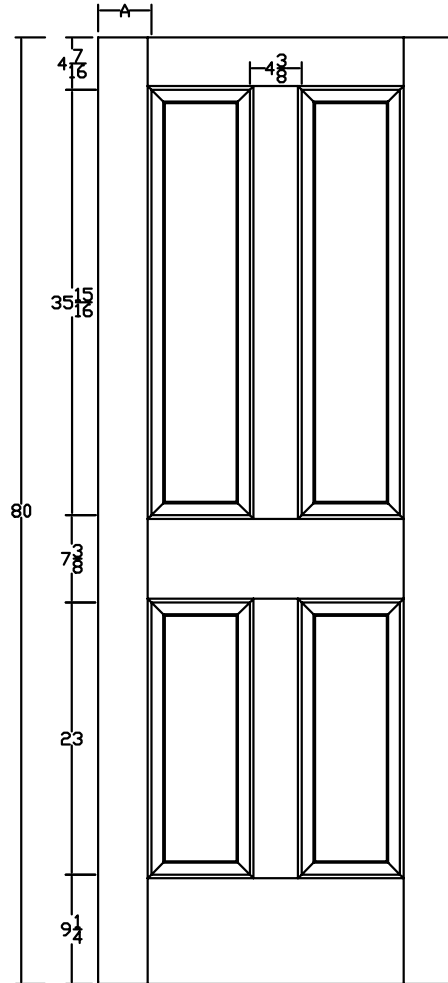
PREP. BY : L.D.

REVISION DATE
REV. 1

SCALE: NTS



Door width		22to36
stile width "A"		4-1/2"



Specification sheet

Title C44 OVOLO STICKING DH PANEL

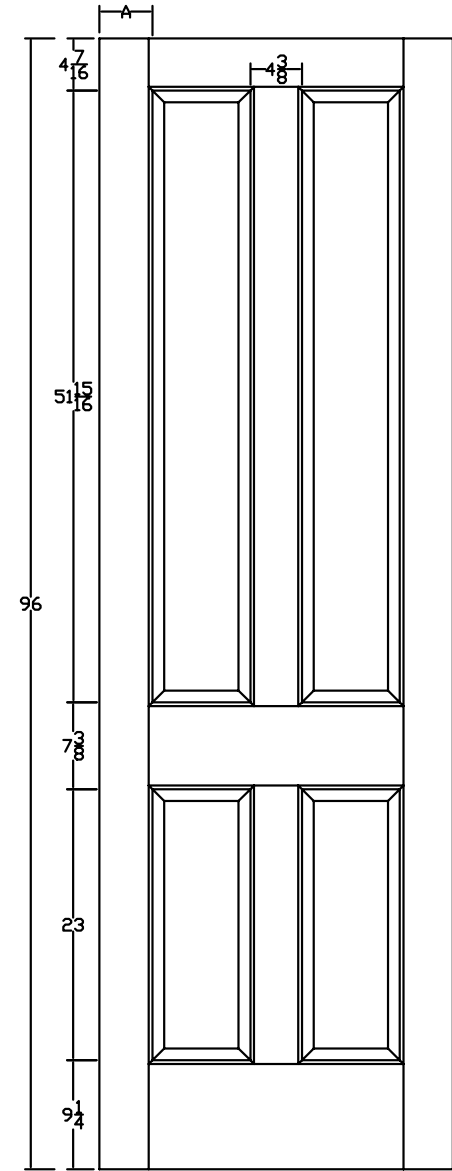
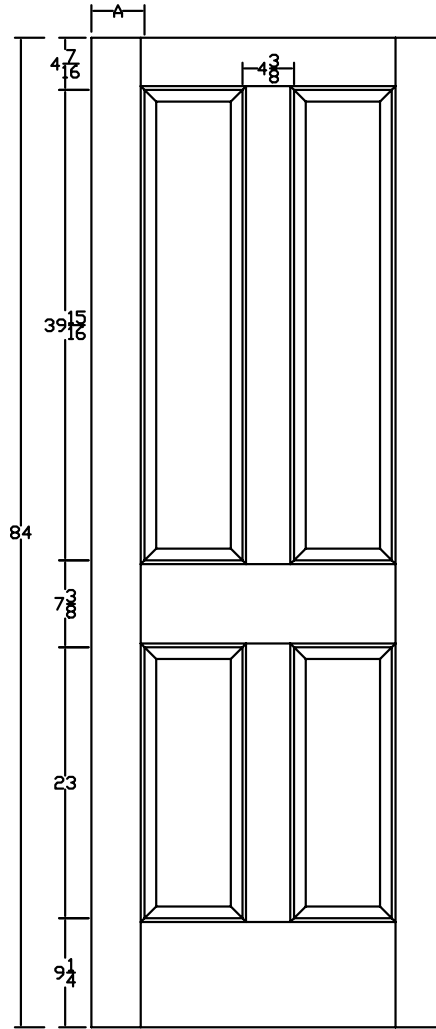
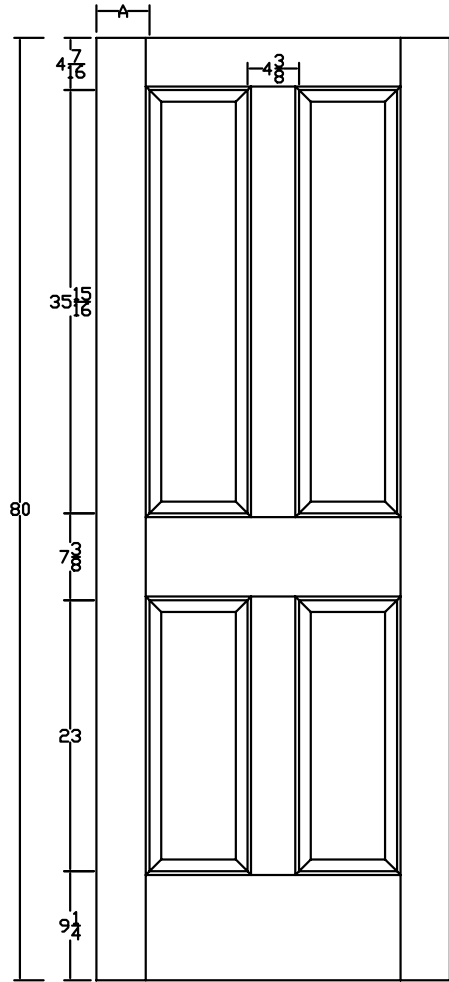
Creation date	
2016-08-09 13:55:23	
Prep. by: M.C.	
Revision date	Rev.
	1
Scale nts	



MASONITE

Open to extraordinary.

Door width		22to36
stile width "A"		4-1/2"



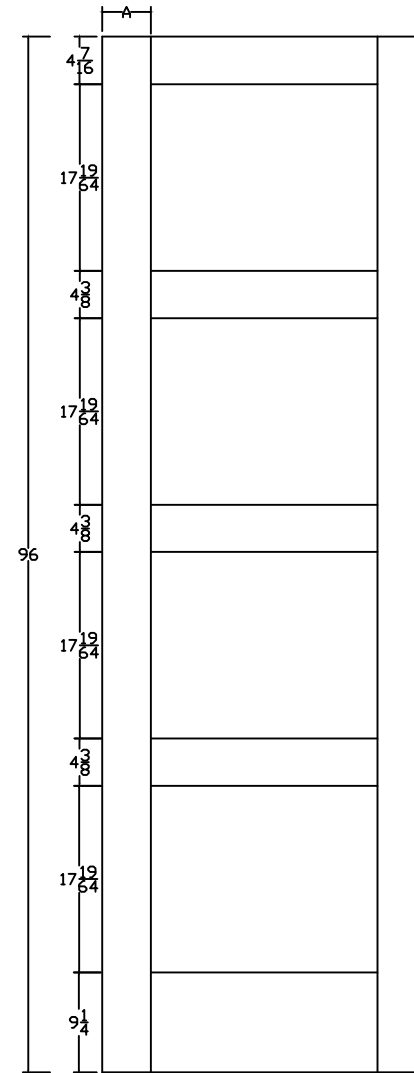
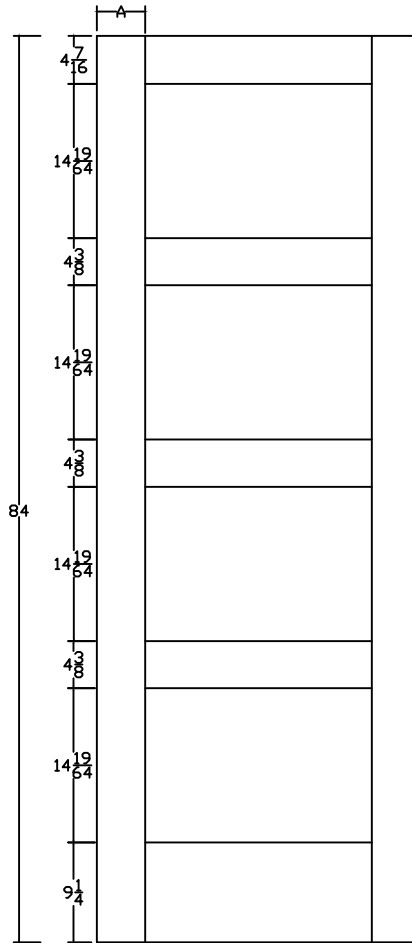
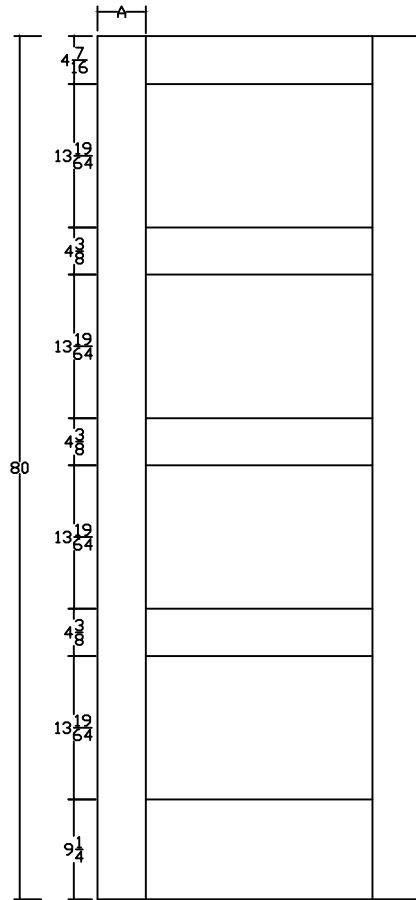
Specification sheet

Title C44 OVOLO STICKING SH PANEL

Creation date	
2016-08-09 13:50:39	
Prep. by: M.C.	
Revision date	Rev.
	1
Scale nts	



DOOR WIDTH	12 TO 14	15 TO 36
STILE WIDTH "A"	1-7/8	4-1/2



SPECIFICATION SHEET

TITLE
C40 FLAT PANEL SQUARE STICKING

CREATION DATE
2023-02-13

PREP. BY : L.D.

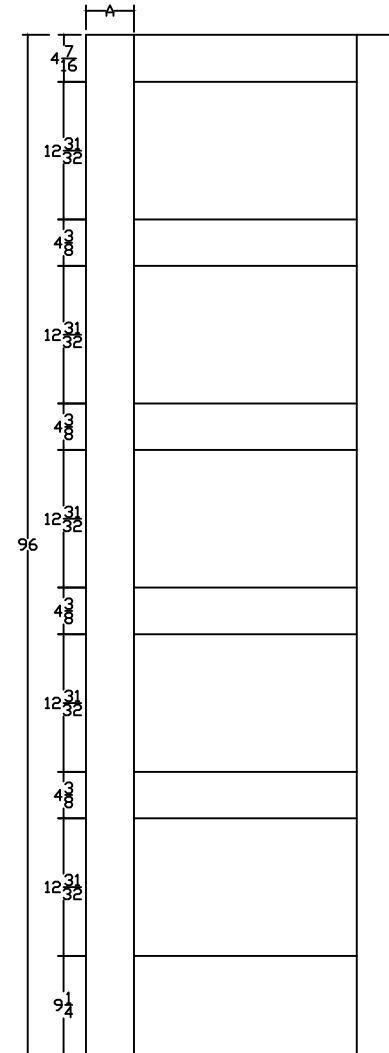
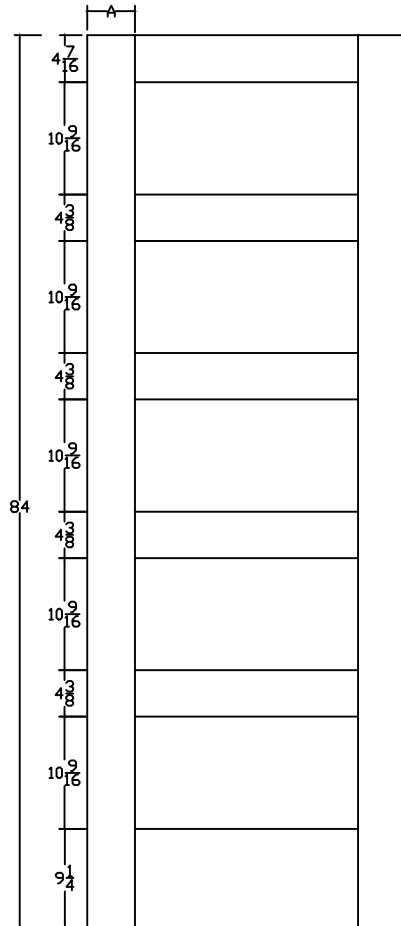
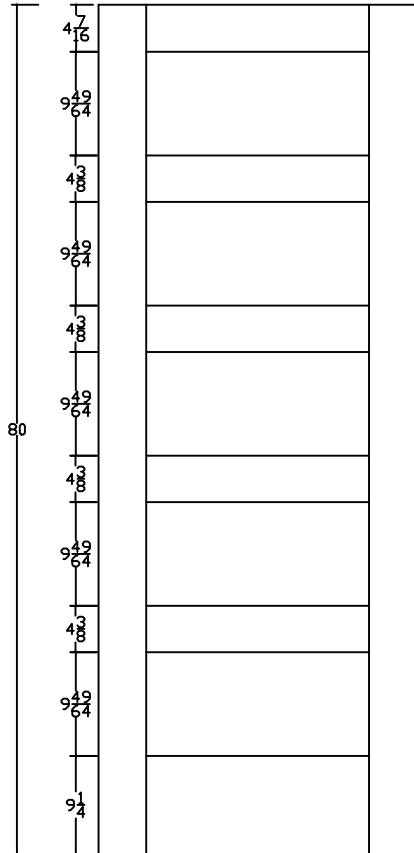
REVISION DATE REV.

SCALE: NTS



MASONITE

DOOR WIDTH	12 TO 14	15 TO 36
STILE WIDTH "A"	1-7/8	4-1/2



SPECIFICATION SHEET

TITLE
C55 FLAT PANEL SQUARE STICKING

CREATION DATE
2023-02-13

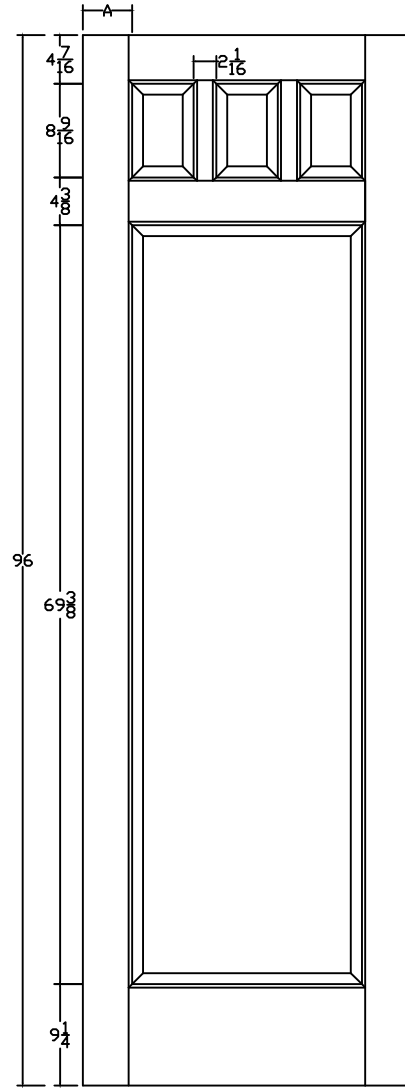
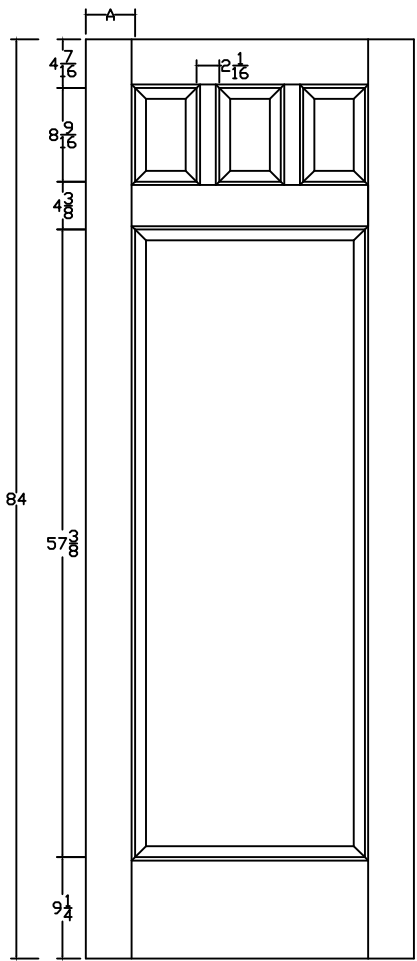
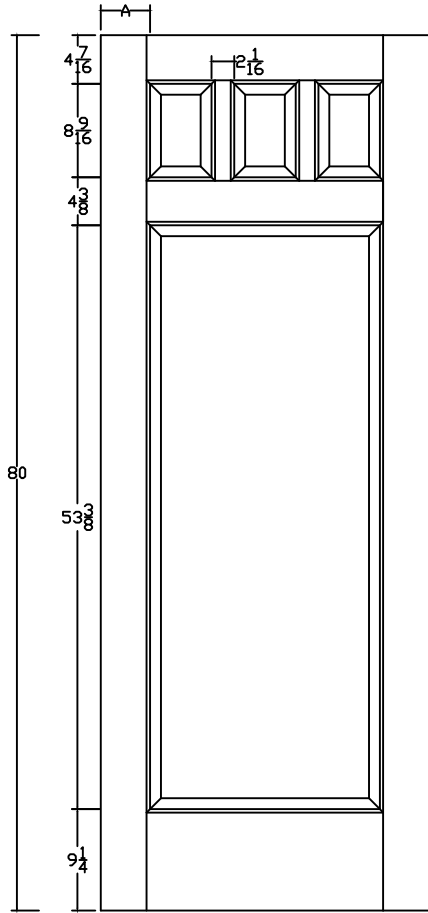
PREP. BY : L.D.

REVISION DATE REV.

SCALE: NTS



DOOR WIDTH	12 TO 14	15 TO 36
STILE WIDTH "A"	1-7/8	4-1/2



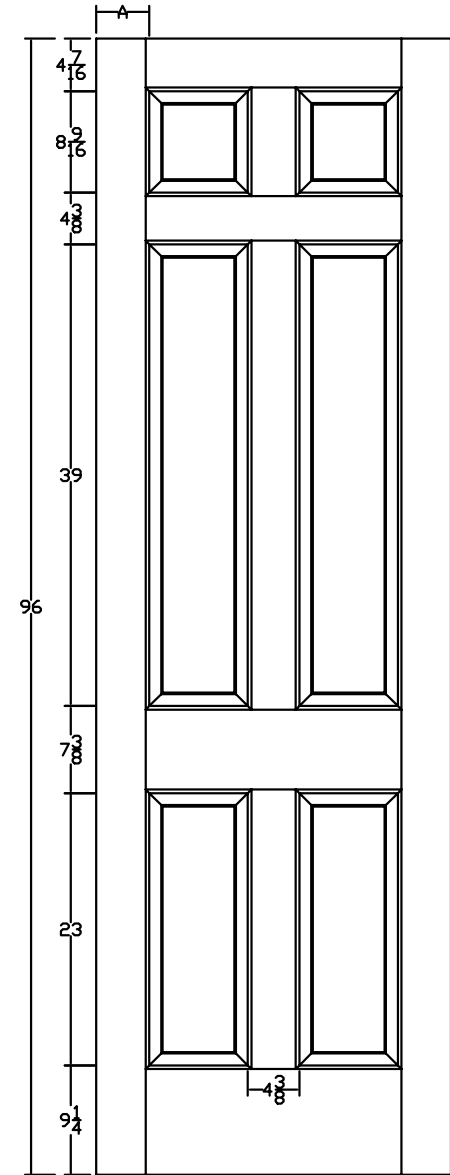
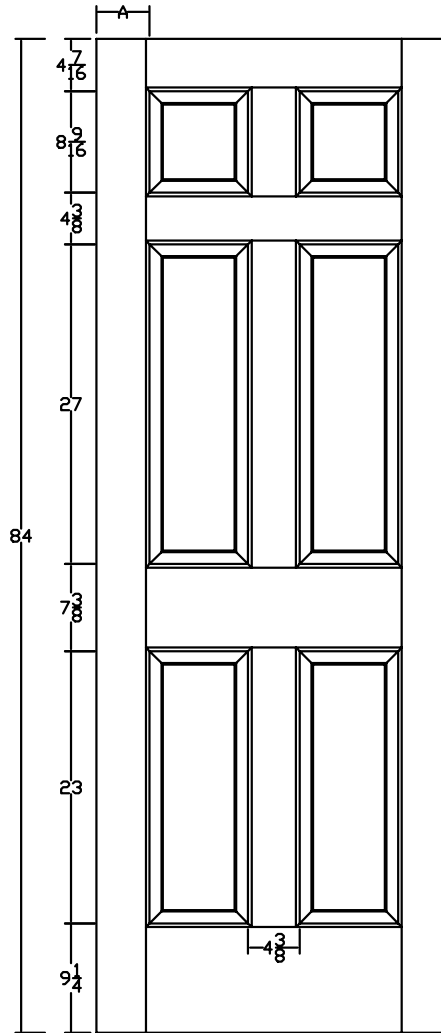
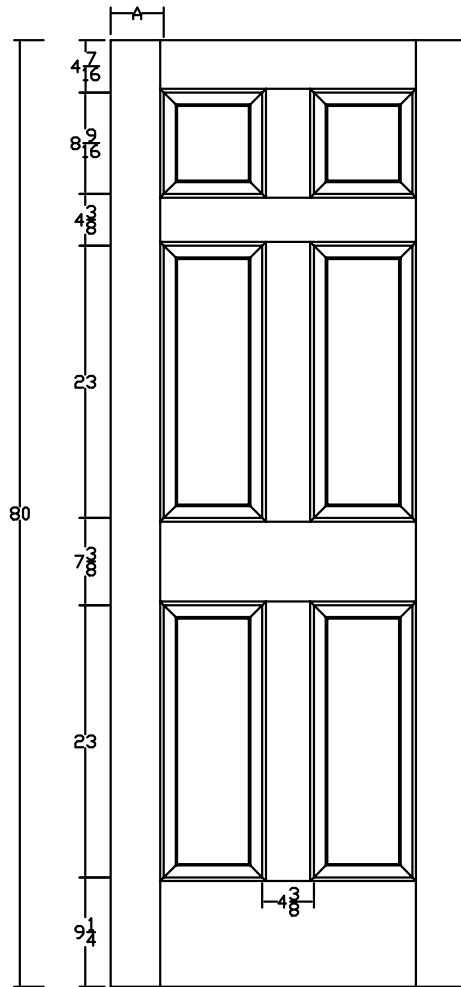
SPECIFICATION SHEET

TITLE
C49 RAISED PANEL OVOLO STICKING

CREATION DATE 2023-02-13	
PREP. BY : L.D.	
REVISION DATE	REV. 1
SCALE: NTS	



Door width		22to36
stile width "A"		4-1/2"



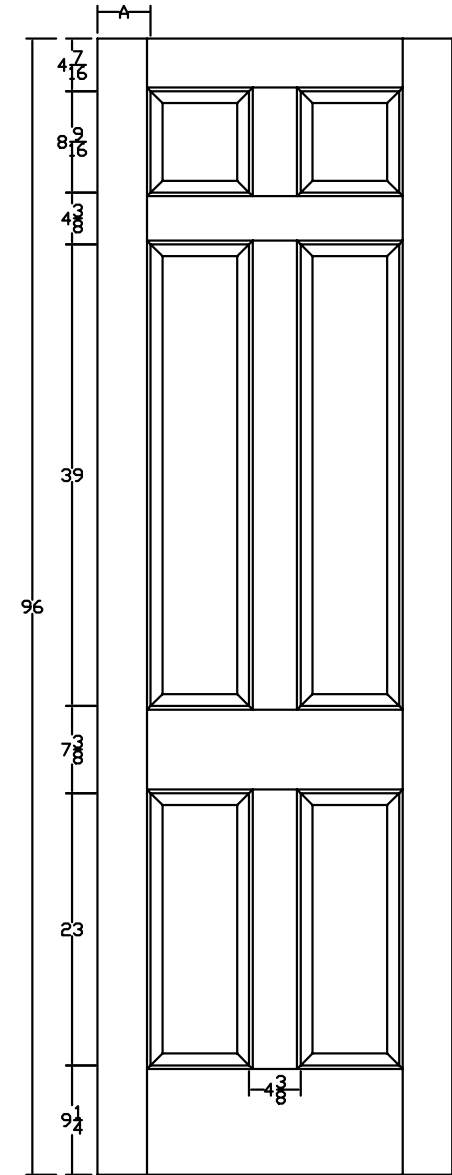
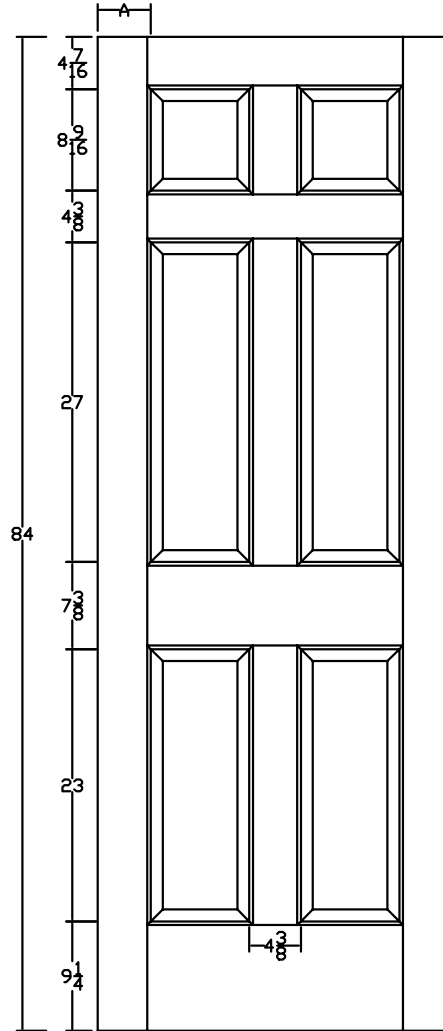
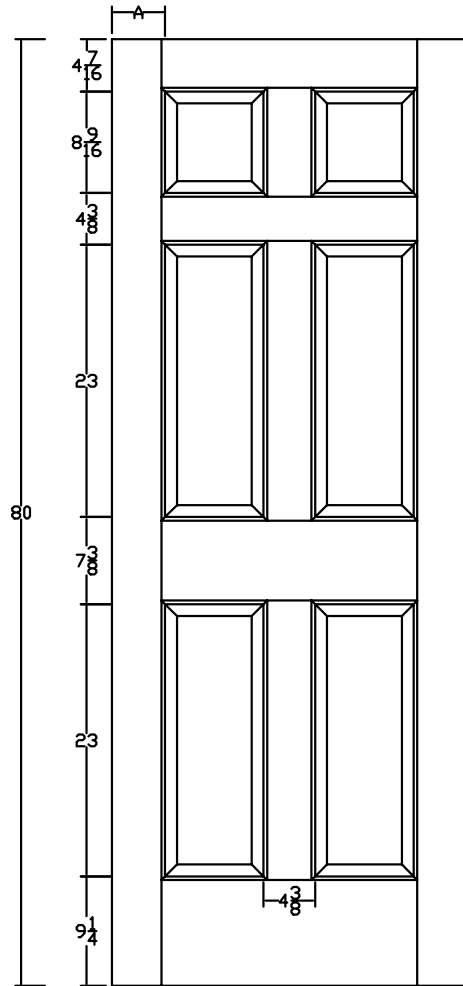
Specification sheet

Title C66 OVOLO STICKING DH PANEL

Creation date	
2016-08-09 13:50:39	
Prep. by: M.C.	
Revision date	Rev.
	1
Scale nts	

 **MASONITE**
Open to extraordinary.

Door width		22to36
stile width "A"		4-1/2"



Specification sheet

Title C66 OVOLO STICKING SH PANEL

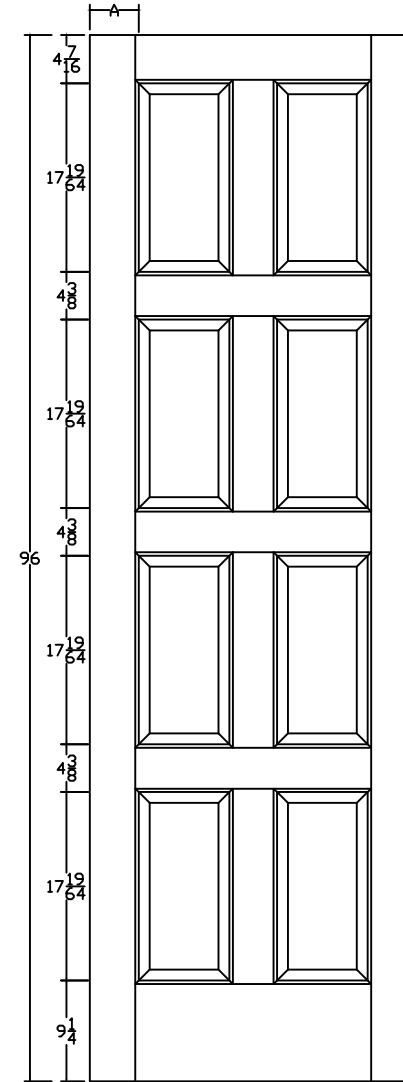
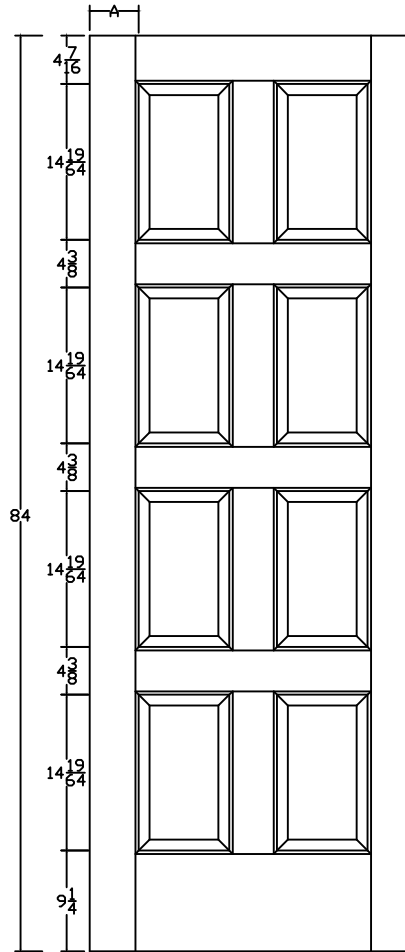
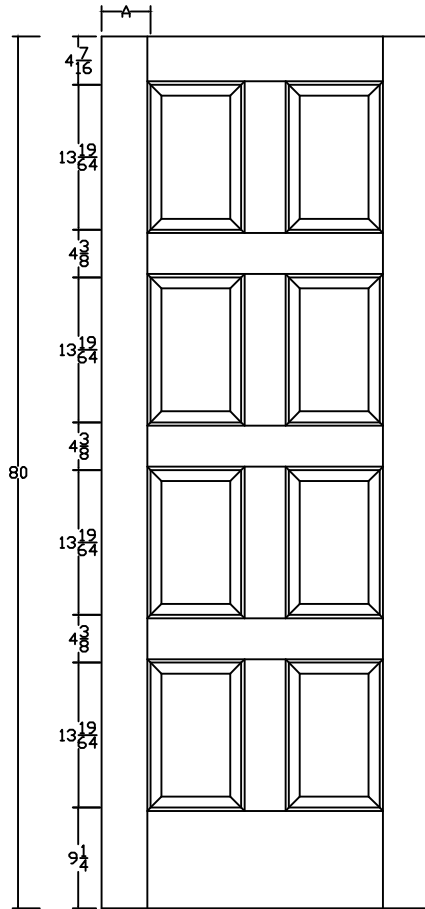
Creation date	
2016-08-09 13:50:39	
Prep. by: M.C.	
Revision date	Rev.
	1
Scale nts	



MASONITE

Open to extraordinary.

DOOR WIDTH	12 TO 14	15 TO 36
STILE WIDTH "A"	1-7/8	4-1/2



SPECIFICATION SHEET

TITLE
C88 RAISED PANEL OVOLO STICKING

CREATION DATE
2023-02-13

PREP. BY : L.D.

REVISION DATE REV.

SCALE: NTS

