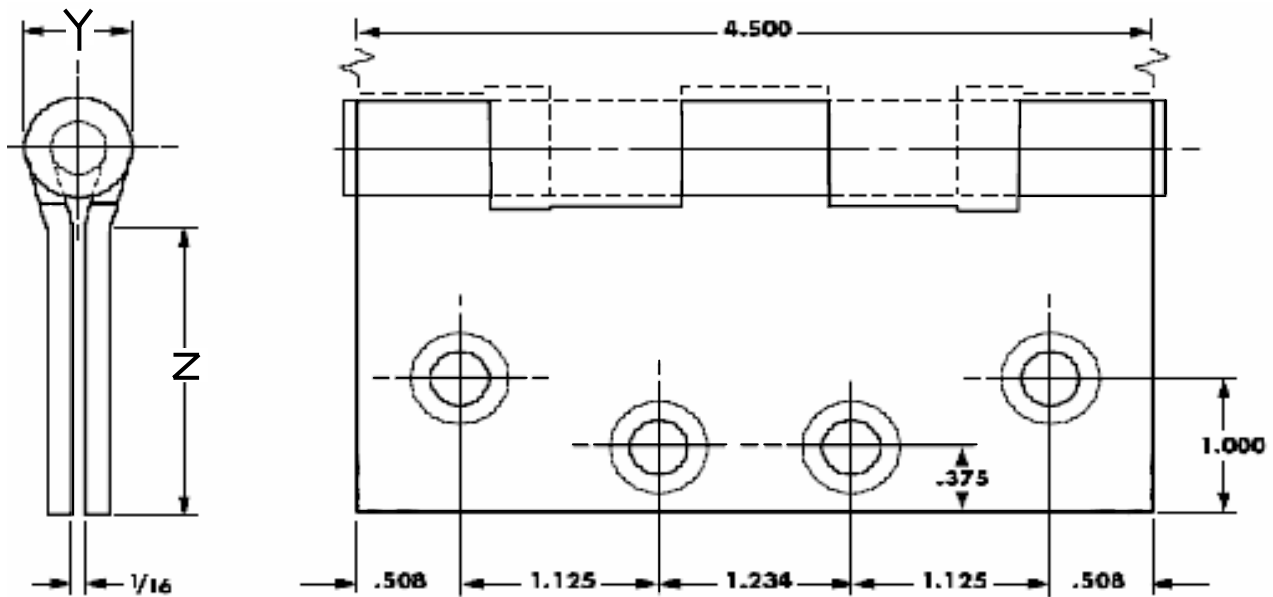


FULL MORTISE TEMPLATE BUTT HINGES - 4 1/2" x 4 1/2"



DO NOT SCALE

| Hinge Number | Gauge of Metal | (Y) Outside Diameter | Distance From Edge of Leaf to Swage Line (Z) |
|--------------------------|----------------|------------------------|--|
| Type 5 - 4 1/2" x 4 1/2" | 0.134 | 0.605 | 1 29/32 |
| 5BB - 4 1/2" x 4 1/2" | 0.134 | 0.625 | 1 25/32 |

Machine Screw Size - 1/2" x 12-24 F.H.
 Wood Screw Size - 1 1/4" x No. 12 F.H.

Design Hardware

159 Endeavor Drive - Rogersville, MO 65742

Phone 877-258-1262 - Fax 877-888-0150 - www.designhardware.net