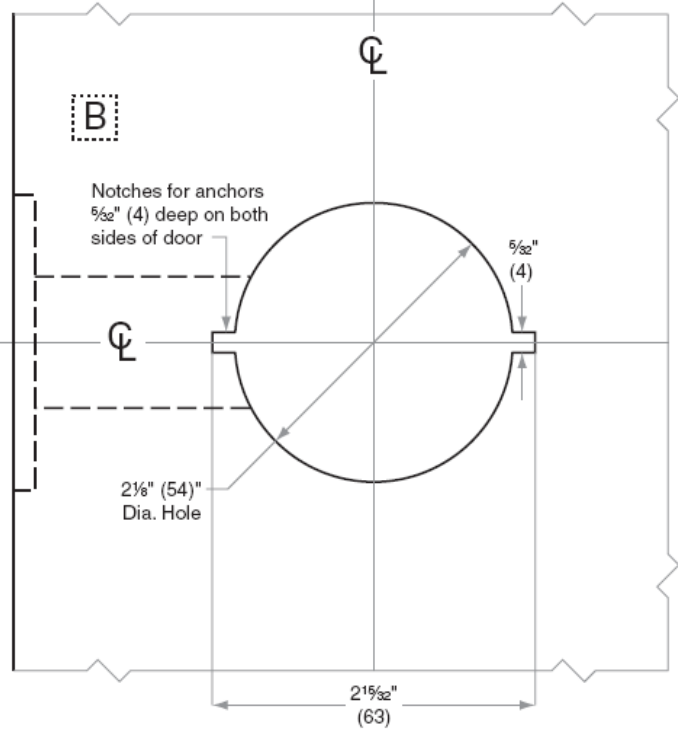
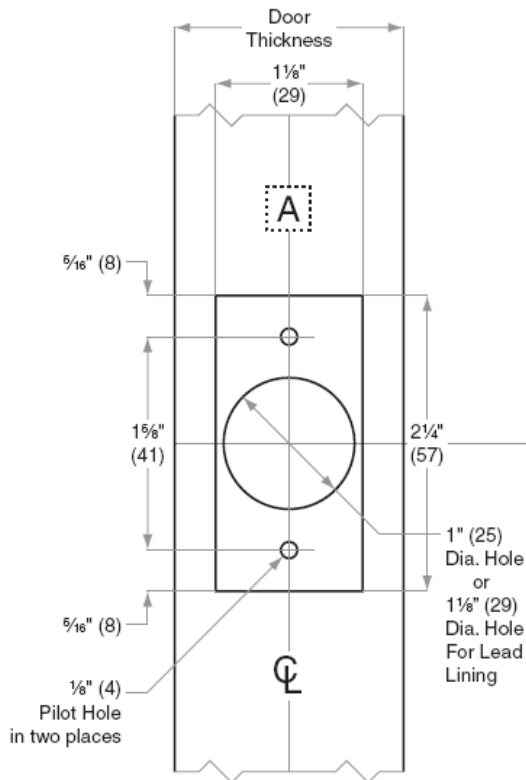
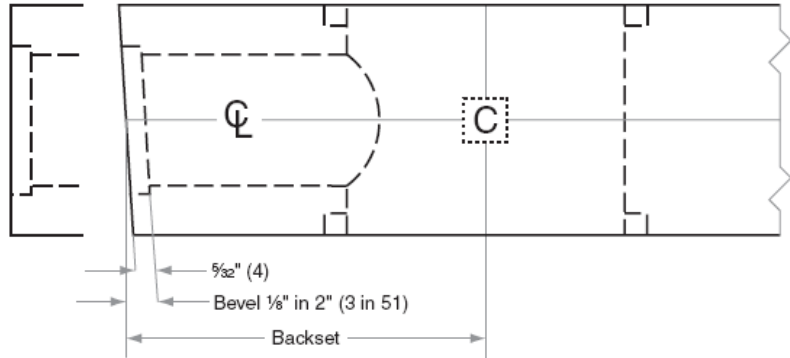
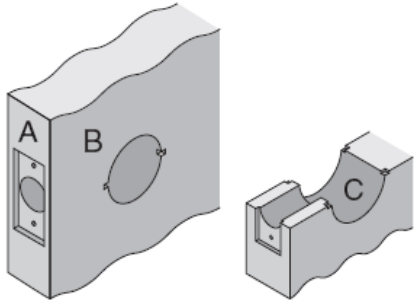


# D Design Hardware



|  |   |   |
|--|---|---|
| <p><b>Template No.</b><br/><b>V-021009-2</b></p> | <p align="center"><b>Design Hardware</b></p> <p align="center">V Series Cylindrical Lockset</p> | <p><b>Functions</b><br/>75, 76, 82, 84, 86<br/>w/ Opt. 2 3/4" Latch</p> |
|--|---|---|