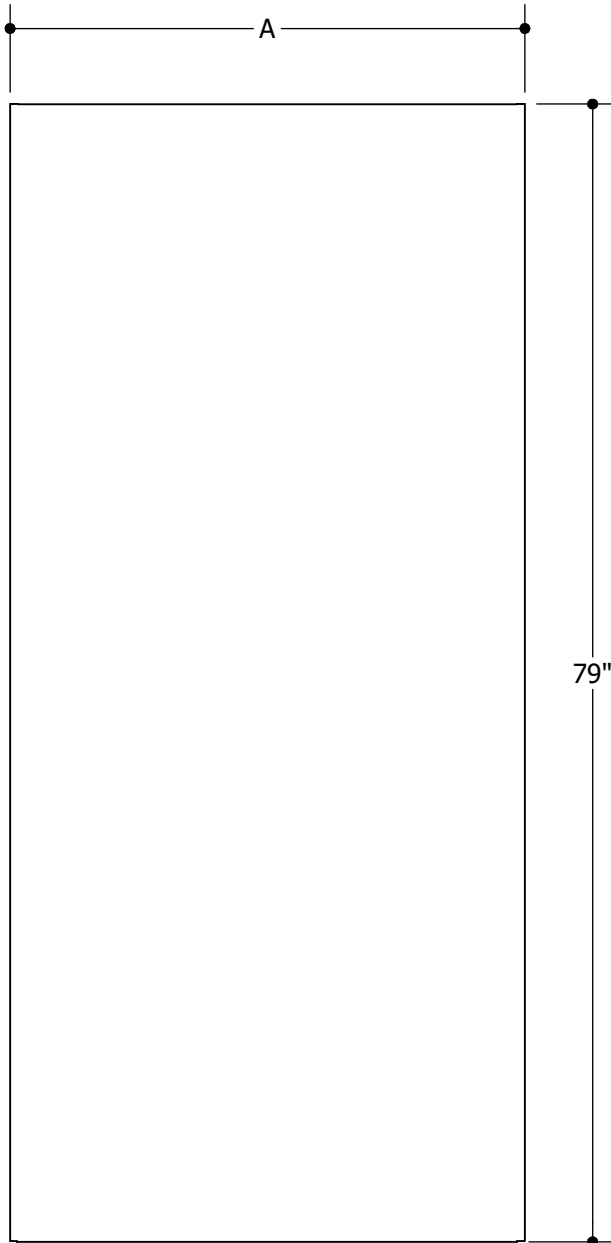


**MASONITE® HD FLUSH 6'8"-7'0"**  
 MASONITE™ SPEC


6'8"	A	23-3/4"	2'0"
6'8"	A	29-3/4"	2'6"
6'8"	A	31-3/4"	2'8"
6'8"	A	33-3/4"	2'10"
6'8"	A	35-3/4"	3'0"

**Options:**

- MASONITE® HD WOOD-EDGE STEEL DOORS
- MASONITE® HD WOOD-EDGE 20-MINUTE RATED STEEL DOORS
- MASONITE® HD STEEL-EDGE STEEL DOORS
- MASONITE® HD STEEL-EDGE 90-MINUTE RATED STEEL DOORS

**Note:**

1. Overall Length and Width Dimensions are +/- 1/16 inch
2. Available as 83" length.

\*Available as Prem Spec  
[www.masonite.com](http://www.masonite.com)

© 2017 Masonite International Corporation. All Rights Reserved.  
 Our continuing program of product improvement makes specifications, design and product detail subject to change without notice.

Filename: TM-HD-FL-68 001  
 Revision: A  
 Date: 01-09-2017  
 Section XX XX.X.X





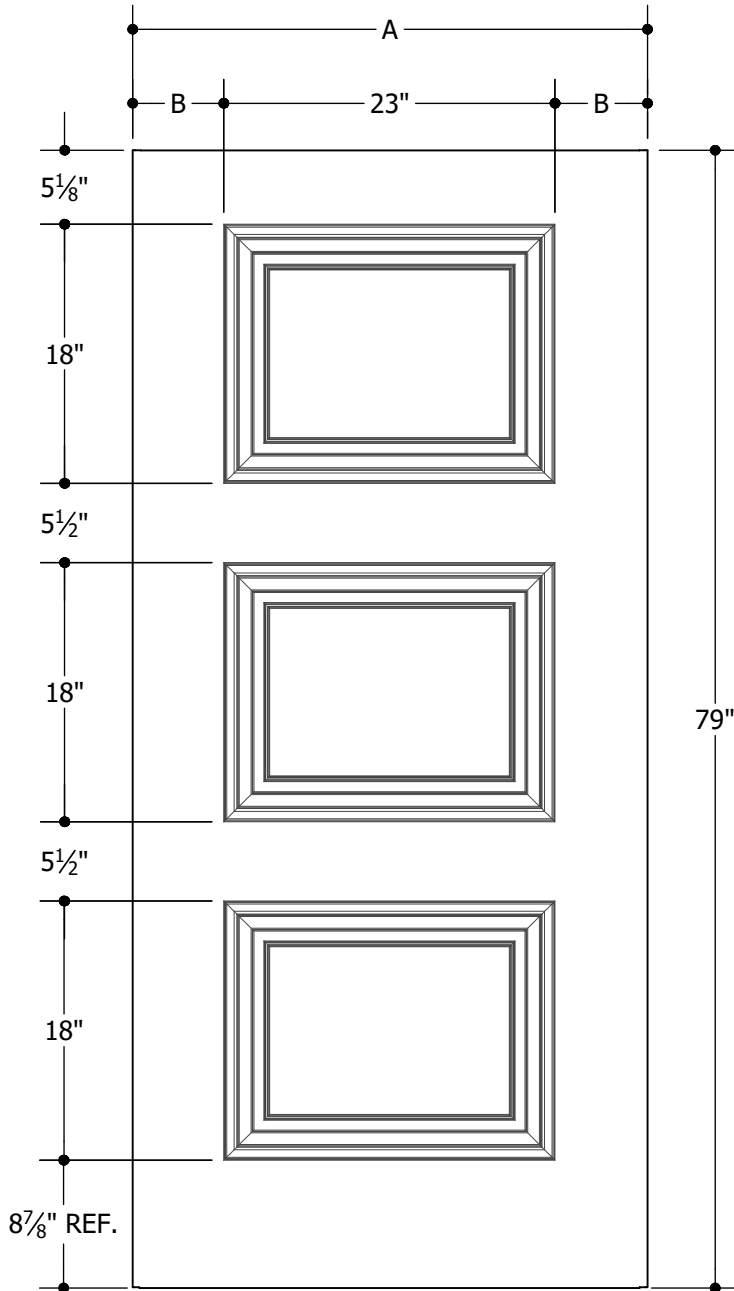








**MASONITE® HD 3-PANEL EQUAL 6'8"-7'0"**  
MASONITE™ SPEC\*



6'8"	A	31-3/4"	2'8"
	B	4-3/8"	
6'8"	A	33-3/4"	2'10"
	B	5-3/8"	
6'8"	A	35-3/4"	3'0"
	B	6-3/8"	

- Options:**  
MASONITE® HD WOOD-EDGE STEEL DOORS  
MASONITE® HD WOOD-EDGE 20-MINUTE RATED STEEL DOORS  
MASONITE® HD STEEL-EDGE STEEL DOORS  
MASONITE® HD STEEL-EDGE 90-MINUTE RATED STEEL DOORS

**Note:**  
1. Overall Length and Width Dimensions are +/- 1/16 inch  
2. Available as 83" length.

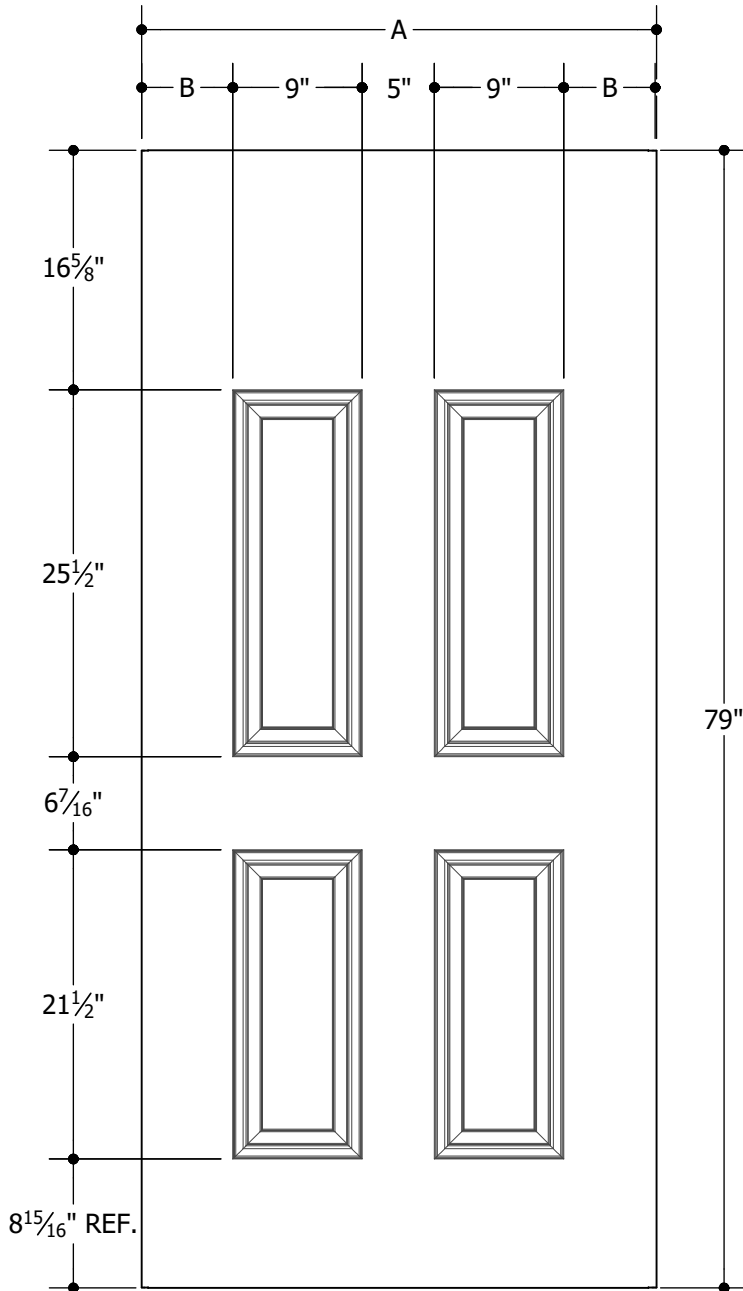
\*Available as Prem Spec  
[www.masonite.com](http://www.masonite.com)

© 2017 Masonite International Corporation. All Rights Reserved.  
Our continuing program of product improvement makes specifications, design and product detail subject to change without notice.

Filename: TM-3P EQL-68 008  
Revision: B  
Date: 04-06-2017  
Section XX XX.X.X



**MASONITE® HD 4-PANEL BLANK TOP 6'8"-7'0"**  
MASONITE™ SPEC\*



6'8"	A	31-3/4"	2'8"
	B	4-3/8"	
6'8"	A	33-3/4"	2'10"
	B	5-3/8"	
6'8"	A	35-3/4"	3'0"
	B	6-3/8"	

**Options:**  
MASONITE® HD WOOD-EDGE STEEL DOORS  
MASONITE® HD STEEL-EDGE STEEL DOORS

**Note:**  
1. Overall Length and Width Dimensions are +/- 1/16 inch  
2. Available as 83" length.

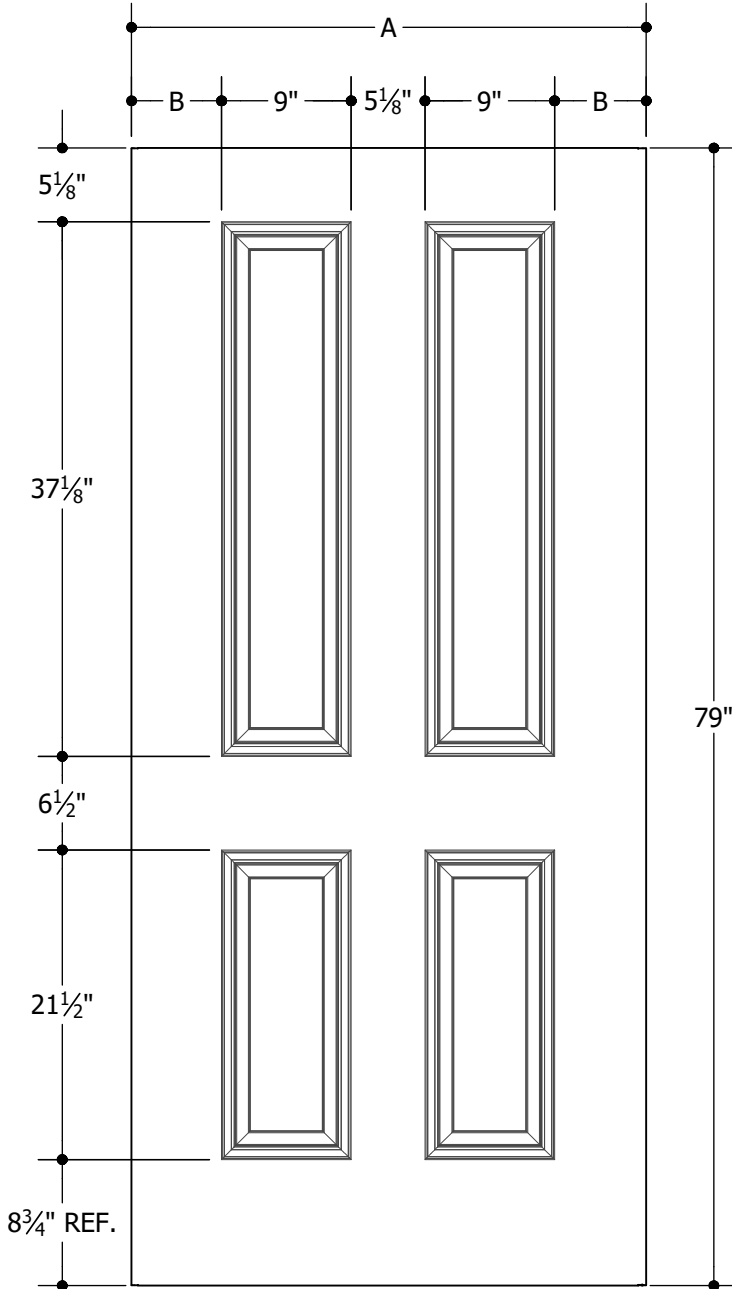
\*Available as Prem Spec  
[www.masonite.com](http://www.masonite.com)

© 2017 Masonite International Corporation. All Rights Reserved.  
Our continuing program of product improvement makes specifications, design and product detail subject to change without notice.

Filename: TM-HD-4P BLNK TP-68 009  
Revision: B  
Date: 04-06-2017  
Section XX XX.X.X



**MASONITE® HD 4-PANEL NEW ENGLAND 6'8"**  
MASONITE™ SPEC\*



6'8"	A	31-3/4"	2'8"
	B	4-3/8"	
6'8"	A	33-3/4"	2'8"
	B	5-3/8"	
6'8"	A	35-3/4"	2'8"
	B	6-3/8"	

- Options:**  
MASONITE® HD WOOD-EDGE STEEL DOORS  
MASONITE® HD WOOD-EDGE 20-MINUTE RATED STEEL DOORS  
MASONITE® HD STEEL-EDGE STEEL DOORS  
MASONITE® HD STEEL-EDGE 90-MINUTE RATED STEEL DOORS

**Note:**  
1. Overall Length and Width Dimensions are +/- 1/16 inch

\*Available as Prem Spec  
[www.masonite.com](http://www.masonite.com)

© 2017 Masonite International Corporation. All Rights Reserved.  
Our continuing program of product improvement makes specifications, design and product detail subject to change without notice.

Filename: TM-HD-4P NE-68 011  
Revision: B  
Date: 04-06-2017  
Section XX XX.X.X





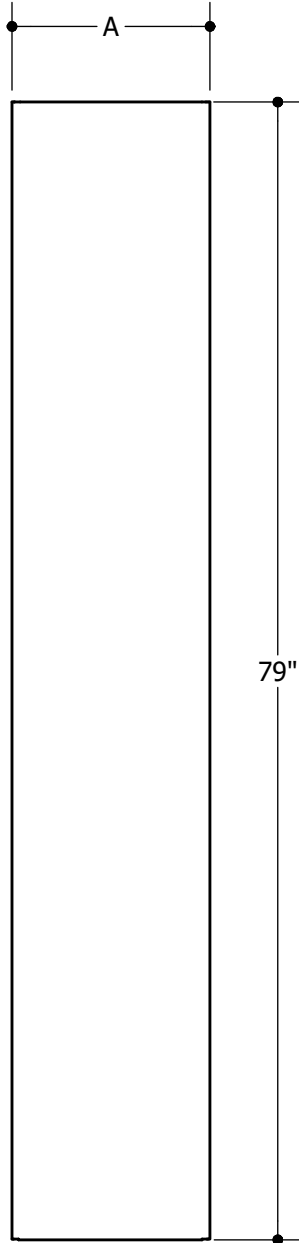








**MASONITE® HD FLUSH SIDELITE 6'8"-7'0"**  
MASONITE™ SPEC\*



6'8"	A	10-3/8"	10"
6'8"	A	11-7/8"	12"
6'8"	A	13-7/8"	14"

**Options:**  
MASONITE® HD WOOD-EDGE STEEL SIDELITE

**Note:**  
1. Overall Length and Width Dimensions are +/- 1/16 inch  
2. Available as 83" length.

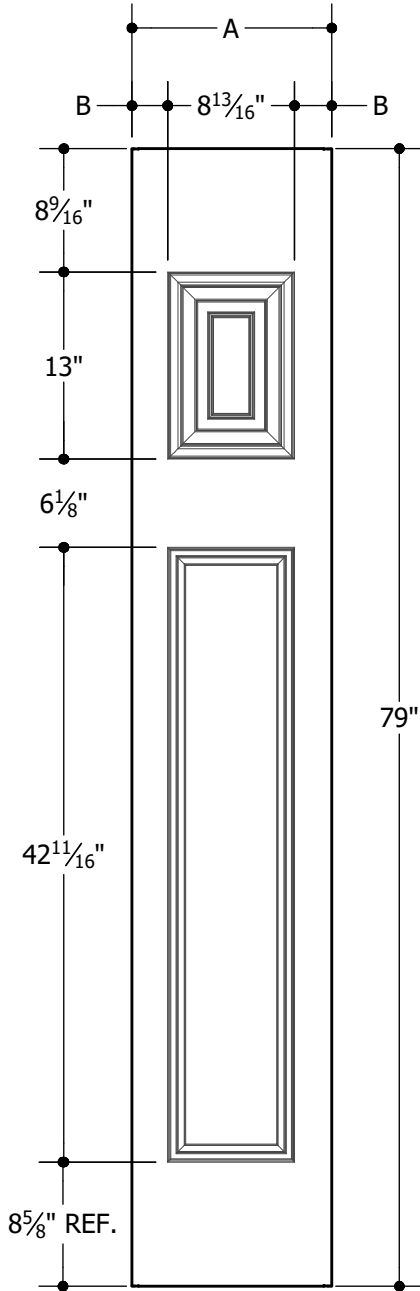
\*Available as Prem Spec  
[www.masonite.com](http://www.masonite.com)

© 2017 Masonite International Corporation. All Rights Reserved.  
Our continuing program of product improvement makes specifications, design and product detail subject to change without notice.

Filename: TM-HD-FL SL-68 017  
Revision: A  
Date: 01-11-2017  
Section XX XX.X.X



**MASONITE® HD CRAFTSMAN & HOLLISTER SIDELITE 6'8"**  
MASONITE™ SPEC\*



6'8"	A	11-7/8"	12"
	B	1-2/5"	
6'8"	A	13-7/8"	14"
	B	2-2/5"	
6'8"			12"
6'8"			14"
6'8"			12"
6'8"			14"

**Options:**  
MASONITE® HD WOOD-EDGE STEEL SIDELITE

**Note:**  
1. Overall Length and Width Dimensions are +/- 1/16 inch

\*Available as Prem Spec  
[www.masonite.com](http://www.masonite.com)

© 2017 Masonite International Corporation. All Rights Reserved.  
Our continuing program of product improvement makes specifications, design and product detail subject to change without notice.

Filename: TM-HD-CRFT HLSTR SL-68 019  
Revision: A  
Date: 01-20-2017  
Section XX XX.XX