

# BB5-HW

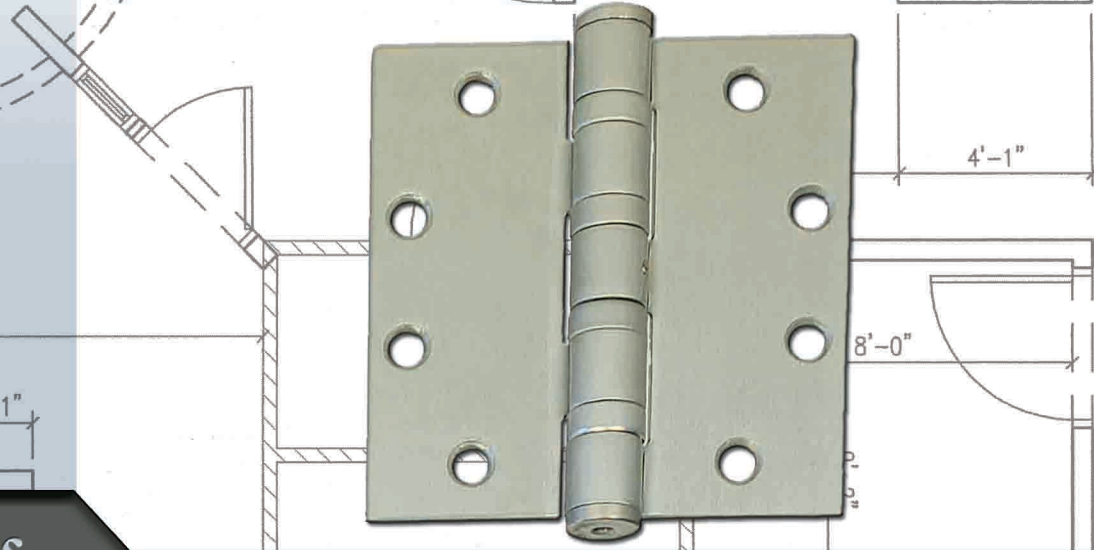
## Heavy Weight Ball Bearing Hinges



BB5-HW NRP  
Non Removable Pin

1'-11"

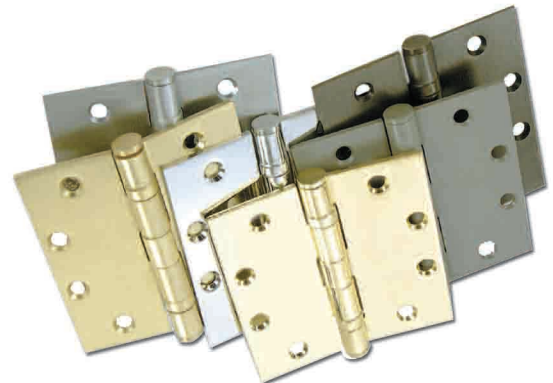
### Specifications



- ANSI :** Meets ANSI A156.1 - Dimensions and tolerances conform to ANSI - A156.7
- Gauge of metal :** .203" +/- .005" on 4.5" x 4.5" size hinges
- Base Material :** Steel (ANSI A8112) or Stainless Steel (Grade 304)(ANSI A5112)
- Design & Templating :** 5 Knuckle Design & Templated hole locations for wood or metal doors & frames
- Fire Door Use :** Approved for most types of fire doors up to 4' x 10', 8' x 10' pairs - Refer to NFPA80
- Swaging :** 1/16" Swage standard which provides 1/16" of clearance between leaves
- Security NRP :** NRP - Non removable pin standard on all BB5-HW hinges
- Pin :** Equipped with easily seated non-rising pin with button head
- Pin Removal :** Hole in bottom knuckle tip enables quick pin removal for ease of installation
- Bearings :** Each hinge has 4 sets of maintenance free non detachable ball bearings requiring no oil or grease
- Fasteners :** Each box of 3 hinges contains full set of machine and wood screws
- Warranty:** Limited Lifetime Warranty

### Available Finishes

US #	BHMA #	Finish Description
US26D	652	Brushed/Satin Chrome
US32D	630	Brushed/Satin Stainless Steel



\*\*Other Finishes Available upon request



211 Endeavor Drive - PO Box 680  
Rogersville, MO 65742  
PH 877-258-1262 FX 877-888-0150  
www.designhardware.net