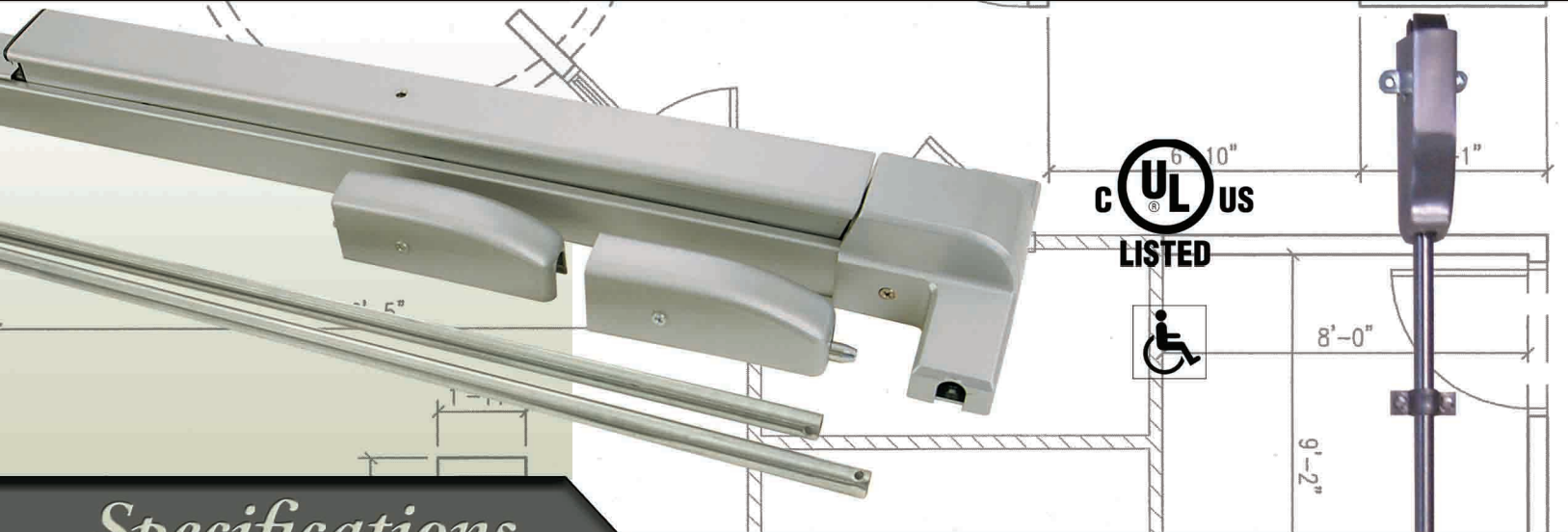


# 2000 Series *Standard Duty SVR Exit Device*



## *Specifications*

- ANSI :** Meets & Exceeds ANSI A156.3 - Grade 1 Standards
- UL Listings:** UL Listed for Panic Exit Hardware  
UL Listed for "A" Label 3 Hour Fire Doors to 8'-0" x 10'-0"
- ADA :** Meets ADA requirements ANSI A117.1 with Lever Trim
- Handing :** Easily Re-handed in the field - Shipped as RHR
- Construction :** Roll Formed Steel or Stainless Steel Channel & Steel Chassis  
Steel or Stainless Steel Head Cover & End Cap
- Finishes :** Aluminum, Dark Bronze, Gold Painted & US32D
- Top Latch :** U Shaped Top Latch for Secure Engagement with strike
- Bottom Latch :** Drop Bolt Style Bottom Latch Secures into flat strike & hole in the floor
- Dogging :** Hex Key Dogging Standard on Panic Exit Hardware
- Cylinder Dogging :** Cylinder Dogging Kits available for new or existing exit devices
- Device Lengths :** 33" for 3'-0" wide doors and 42" for 3'-8" to 4'-0" wide doors
- Min. Door Width :** 33" & 42" devices can be cut down to fit on minimum door width of 2'-4"
- Door Heights :** 7"-0" Standard - Extended Top Rods available for up to 10'-0" tall doors
- Center Case Dim. :** 6" Height x 1 5/8" Wide x 2 1/2" Thick - 4" Min. stile required
- Mechanism Case Dim. :** 1 5/8" Height x 1 13/16" Wide
- Projection :** 2 1/2" Undogged - Pushbar Neutral & 1 13/16" Dogged - Pushbar Depressed
- Fasteners :** Wood, Machine & Self Tapping Machine Screws (F2000V includes thru bolts)
- Trim & Accessories :** Wide Variety of Exterior Trims, Shim Kits other accessories available
- Warranty:** Limited Lifetime Warranty



211 Endeavor Drive - PO Box 680  
Rogersville, MO 65742  
PH 877-258-1262 FX 877-888-0150  
[www.designhardware.net](http://www.designhardware.net)